

# HITACHI

## SUPER LONG FRONT HYDRAULIC EXCAVATOR

SLF ZX210LC-7H | SLF ZX250LC-7H | SLF ZX350LC-7H

Reliable Solutions



### ZAXIS210

**Engine Rated Power :** 172 HP (128.4 kW)  
**Operating Weight :** 54,900 lbs (24,900 kg)  
**Bucket Capacity :** 0.68 yd<sup>3</sup> (0.52 m<sup>3</sup>)  
**Model Code :** ZX210LC-7H

### ZAXIS250

**Engine Rated Power :** 188 HP (140.0 kW)  
**Operating Weight :** 64,600 lbs (29,300 kg)  
**Bucket Capacity :** 0.77 yd<sup>3</sup> (0.59 m<sup>3</sup>)  
**Model Code :** ZX250LC-7H

### ZAXIS350

**Engine Rated Power :** 282 HP (210 kW)  
**Operating Weight :** 84,900 lbs (38,500 kg)  
**Bucket Capacity :** 0.52 yd<sup>3</sup> (0.40 m<sup>3</sup>)  
**Model Code :** ZX350LC-7H

## A Legacy of Confidence

Known worldwide, Hitachi Construction Machinery has helped generations of builders, doers, and earth-movers accomplish their goals. Hitachi Construction Machinery Americas is the source for all U.S. and Latin American operations hoping to improve productivity and reduce costs — all while building our shared future.

## Pioneering Progress Together

From dedicated Rental and Used machines business to servicing, parts sales, and remote diagnostic support, Hitachi Construction Machinery Americas has the know-how and desire to establish productive working partnerships across the region. A network of independent, local dealers providing sales and service support are at the ready, waiting to begin work on the next phase of your legacy.



**Welcome** to

# Hitachi Construction

## Endless Ambition

All of our machines have been built at state-of-the-art Hitachi Construction Machinery production facilities in Japan, after incorporating the unique needs of our North American customers. Designed for the toughest terrains, harshest environments and most intricate projects, we believe there is no job that couldn't make use of our machine.

## Unwavering Dependability

Our dedication to reliability parallels our commitment for your comfort. Safety is non-negotiable; our machines adhere to the highest standards, ensuring your team's well-being. Count on Hitachi Construction Machinery Americas for peace of mind to ensure every team member returns home safely after a hard day's work.



# Machinery Americas

# Proudly **PURPOSE BUILT**

---

**A**t job sites across the world, workers depend on the latest Hitachi Construction Machinery Americas equipment when operating in challenging environments.

Special series excavators, including the Super Long Front (SLF) models, are at the forefront of our commitment to owners and operators who have been waiting for extended reach excavators.

This brochure is a guide for fleet owners as well as day-to-day operators of this equipment who are hoping to save time, money, to dream big — and extend their capability.

Introducing the latest series of Hitachi Construction Machinery Americas machines, the SLF ZX210LC-7H, ZX250LC-7H, and ZX350LC-7H excavators.





# TABLE OF CONTENTS

**02** Who We Are

**04** Introduction

**06** Machine Highlights

**08** Performance

**10** Applications

**12** Inside the Cab

**14** Service & Maintenance

**16** Safety

**18** Specifications

# More Work **WITHIN REACH**

Certified for long reach digging power, more stability and productivity features **tailor made for extreme tasks and tough job sites.**

Owners of SLF excavators can choose from a range of proven attachments to expand job capability further, with operators backed by a suite of precision controls to get the most from the machine's additional versatility.

## **Up to 70 feet\* of Reach**

Accomplish a wide variety of jobs with extended arms and a powerful platform proven in multiple industries. Adapt as needed with a wide range of traditional attachments.

## **Reliable & Powerful Engines**

Proven Isuzu diesel engine with up to 494 lbf of torque.

## **Refined Hydraulic System**

Engineered for smooth and safe operation, the foundation for our SLF models is a powerful, balanced, and refined hydraulic system that maximizes efficiency. Paired with an upgraded swing motor, SLF models employ next-level reach and control.

## **Increased Durability**

Reinforced tail frame, undercarriage with integrated X-Frame, enhanced track protection, and heavier counterweight for SLF models.

## **Precision Controls**

Matched with a unique swing motor, modern operator controls offer smooth, predictable movement through its full operating range.

\* ZX350LC-7H max dig reach at ground level is 71' 11" (21,920 mm)





### First-Class Cab Comfort

Enlarged cab space, visibility of controls, and operator line-of-sight. Available heavy duty cab shielding for added safety.



### Enhanced Productivity

Uptime is everything: lower fuel consumption and higher quality components mean less downtime and lower servicing costs.



### Service & Maintenance

With ConSite Air, ConSite Oil, and field-tested maintenance routines, owners can count on predictable service intervals & service support.

#### SLF SERIES

	ZX210LC-7H	ZX250LC-7H	ZX350LC-7H
Operating weight	54,900 lbs (24,900 kg)	64,600 lbs (29,300 kg)	84,900 lbs (38,500 kg)
Horsepower	172 HP (128.4 kW)	188 HP (140 kW)	282 HP (210 kW)
Maximum Reach at Ground	50' 4" (15,350 mm)	59' 8" (18,190 mm)	71' 11" (21,920 mm)
Dig Depth	39' 2" (11,940 mm)	47' 4" (14,430 mm)	57' 0" (17,380 mm)



# Far Out **POWER**

The SLF series powers through projects with modern, powerful diesel engines backed by uprated counterweights and a reinforced tail frame. Special swing motor, control valve, and hydraulic circuit ensure predictable performance through a larger range of movement.



## **High Performance Hydraulics**

SLF excavators' revised hydraulic system includes an uprated control valve, for an immediate response even when operating at or near maximum extension.

## **Precision Work Modes**

The two work modes (ECO & PWR) allow operators to smoothly respond to various job site conditions.



## **Range of Attachments**

Expand operations further with our existing catalog of attachments, with common connection sizes for ease of compatibility and increased productivity.







**PEAK  
VERSATILITY**  
and efficient  
productivity

# LONG REACH Excavators





“ Reach higher, dig deeper with our super long front excavators - factory standard with proven Hitachi Construction Machinery Americas excavator DNA – **high performing, enhanced production, and always reliable.** ”

Drew Norton,  
Hitachi Construction Machinery Americas  
Excavator Product Specialist



# ELEVATED Purpose

---

SLF machines are born with a deeper capability for a diverse range of jobs such as in deep excavation, harbor projects, dredging, slope finishing, and agriculture. Unlike conventional excavators converted into SLFs, our machines are purpose-built with a stable platform for precise operation in confined areas and near sensitive habitats.





1

2

3

4

5

16

13

15

6

14

7

8

9

10

HITACHI

12

11



# CONFIDENT Controls

Built with operators at heart: a larger cab with more head clearance and less noise, a panoramic view for operators, and one-touch adjustable air suspension seat synchronized to move with the console.

- 1 **Increased sweeping area of parallel link wiper** enhances visibility in difficult working conditions.
- 2 **Air conditioning and audio** are easily controlled via the monitor.
- 3 **Low-reflective color 8" LCD monitor** is easy to view and navigate.
- 4 **USB port and smartphone holder** helps you stay connected.
- 5 **Removable cup holder** for easy cleaning.
- 6 **Additional joystick controls** for effortless operation.
- 7 **Ergonomic design** gives you convenient access to controls.
- 8 **Bluetooth®** for hands-free calls.
- 9 **Multifunctional control panel** makes operation easier.
- 10 **Improved sound isolation** makes this one of the quietest cabs in the market.
- 11 **Convenient storage space** keeps your workspace tidy and clutter-free.
- 12 **Coat hooks** take care of your personal belongings.
- 13 **One-touch adjustment lever for console** so you can work comfortably in the optimum position.
- 14 **Integrated console and seat suspension** gives a greater sense of control and helps to reduce fatigue.
- 15 **Increased legroom** creates a more spacious cab.
- 16 **Optimal pedal layout** helps to reduce fatigue.



# SERVICE That Sticks

Protect your investment with proactive support services. Hitachi Construction Machinery Americas' distribution network is dedicated to optimal uptime of our, with dedicated support team and dealers. Ask about how ConSite Oil and ConSite Air technology further increases uptime — a Hitachi Construction Machinery exclusive.

**ConSite**  
Consolidated Solution for Construction Sites



# NO HASSLE Maintenance

From up-to-the-second remote management with ConSite to the leading Hitachi Construction Machinery Americas Certified Remanufactured Components program, maintenance support is second-to-none. Identify problems before they start and supercharge productivity with our behind-the-scenes data platform that allows for remote fleet diagnostic access.



# 360° SAFETY

Innovative, standard safety features are core to maintaining an incident-free jobsite. From a standard AERIAL ANGLE camera system to a full suite of operator tools to ensure safety always comes first.

## AERIAL ANGLE Cameras

Peripheral vision camera system provides a wide 270-degree bird's-eye view of the machine's immediate environment.

## Unmatched Visibility

See and be seen: LED work lights, large reflective strips, improved windshield wiper and roller sunshades ensure visibility in all conditions.

## Cab Guards

Optional cab guarding increases operator protection in extreme and challenging environments.

## Multiple View Monitors

With left, rear, and right side cameras and six different viewing positions from inside the cab display, operators can see clearly in all directions.







# SPECIFICATIONS

## SUPER LONG FRONT

ENGINE		
Model	ZX210LC-7H / ZX250LC-7H	Isuzu 4HK1
	ZX350LC-7H	Isuzu 6HK1X
Type	4-cycle water-cooled, common rail direct injection	
Aspiration	Variable geometry turbocharged, intercooled, cooled EGR	
Aftertreatment	DOC + SCR system	
No. of cylinders	4	
Rated power		
ISO 14396 : 2002 gross	ZX210LC-7H	172 HP (128.4 kW) at 2,000 min <sup>-1</sup>
	ZX250LC-7H	188 HP (140.0 kW) at 2,000 min <sup>-1</sup>
	ZX350LC-7H	282 HP (210 kW) at 1,900 min <sup>-1</sup>
ISO 9249 : 2007 net	ZX210LC-7H	164 HP (122.0 kW) at 2,000 min <sup>-1</sup>
	ZX250LC-7H	177 HP (132.0 kW) at 2,000 min <sup>-1</sup>
	ZX350LC-7H	271 HP (202 kW) at 1,900 min <sup>-1</sup>
Maximum torque	ZX210LC-7H	494 lbf (670 Nm) at 1,600 min <sup>-1</sup>
	ZX250LC-7H	499 lbf (676 Nm) at 1,800 min <sup>-1</sup>
	ZX350LC-7H	797 lbf (1 080 Nm) at 1,500 min <sup>-1</sup>
Piston displacement	ZX210LC-7H / ZX250LC-7H	316.898 cu.in. (5.193 L)
	ZX350LC-7H	475.38 cu.in. (7.79 L)
Bore and stroke	4.5" x 4.9" (115 mm x 125 mm)	
Batteries	ZX210LC-7H / ZX250LC-7H	2 x 12 V / 126 Ah
	ZX350LC-7H	2 x 12 V / 135 Ah

HYDRAULIC SYSTEM			
<b>Hydraulic Pumps</b>			
Main pumps	3 variable displacement axial piston pumps		
Maximum oil flow	ZX210LC-7H	2 x 56 gal/min (212 L/min)	
		1 x 49 gal/min (184 L/min)	
	ZX250LC-7H	2 x 64 gal/min (244 L/min)	
		1 x 51 gal/min (194 L/min)	
	ZX350LC-7H	2 x 76 gal/min (288 L/min)	
		1 x 69 gal/min (260 L/min)	
Pilot pump	1 gear pump		
Maximum oil flow	ZX210LC-7H	8.9 gal/min (33.7 L/min)	
	ZX250LC-7H	9.4 gal/min (35.5 L/min)	
	ZX350LC-7H	9.7 gal/min (36.8 L/min)	
<b>Hydraulic Motors</b>			
Travel	2 variable displacement axial piston motors		
Swing	1 axial piston motor		
<b>Relief Valve Settings</b>			
Implement circuit	4 974.8 psi (34.3 MPa)		
Swing circuit	ZX210LC-7H	3,886.0 psi (26.8 MPa)	
	ZX250LC-7H	3,697.5 psi (25.5 MPa)	
	ZX350LC-7H	5,220 psi (26.9 MPa)	
Travel circuit	4,974.8 psi (34.3 MPa)		
Pilot circuit	565.6 psi (3.9 MPa)		
Power boost	5,511.4 psi (38.0 MPa)		
<b>Hydraulic Cylinders</b>			
ZX210LC-7H			
	Quantity	Bore	Rod diameter
Boom	2	4.7" (120 mm)	3.3" (85 mm)
Arm	1	5.5" (140 mm)	3.9" (100 mm)
Bucket	1	3.9" (100 mm)	2.8" (70 mm)
ZX250LC-7H			
	Quantity	Bore	Rod diameter
Boom	2	4.9" (125 mm)	3.5" (90 mm)
Arm	1	5.9" (150 mm)	4.1" (105 mm)
Bucket	1	3.9" (100 mm)	2.8" (70 mm)
ZX350LC-7H			
	Quantity	Bore	Rod diameter
Boom	2	5.7" (145 mm)	3.9" (100 mm)
Arm	1	6.7" (170 mm)	4.5" (115 mm)
Bucket	1	3.9" (100 mm)	2.8" (70 mm)

UPPERSTRUCTURE		
<b>Revolving Frame</b>		
D-section frame for resistance to deformation.		
<b>Swing Device</b>		
Axial piston motor with planetary reduction gear is bathed in oil. Swing circle is single-row. Swing parking brake is spring-set/hydraulic-released disc type.		
Swing torque	ZX210LC-7H	50 154 lbf (68.0 kNm)
	ZX250LC-7H	57 161 lbf (77.5 kNm)
	ZX350LC-7H	88 507 lbf (120.0 kNm)

UNDERCARRIAGE		
<b>Tracks</b>		
Tractor-type undercarriage. Welded track frame using selected materials. Side frame welded to track frame. Lubricated track rollers, idlers, and sprockets with floating seals. Track shoes with triple grousers made of induction-hardened rolled alloy. Heat-treated connecting pins with dirt seals. Hydraulic (grease) track adjusters with shock-absorbing recoil springs.		
<b>Numbers of Rollers and Shoes on Each Side</b>		
Upper rollers	2	
Lower rollers	8 : ZX210LC-7H / ZX350LC-7H	
	9 : ZX250LC-7H	
Track shoes	49 : ZX210LC-7H	
	51 : ZX250LC-7H	
	48 : ZX350LC-7H	
Track guards	3	
<b>Travel Device</b>		
Each track driven by 2-speed axial piston motor. Parking brake is spring-set/hydraulic-released disc type. Automatic transmission system: High-Low.		
Travel speeds	ZX210LC-7H	High : 0 to 3.4 mph (0 to 5.5 km/h)
		Low : 0 to 2.2 mph (0 to 3.5 km/h)
	ZX250LC-7H	High : 0 to 3.4 mph (0 to 5.5 km/h)
		Low : 0 to 2.1 mph (0 to 3.4 km/h)
	ZX350LC-7H	High : 0 to 3.1 mph (0 to 5.0 km/h)
		Low : 0 to 2.0 mph (0 to 3.2 km/h)
Maximum traction force	ZX210LC-7H	45,636 lbf (203 kN)
	ZX250LC-7H	48,334 lbf (215 kN)
	ZX350LC-7H	66,993 lbf (298 kN)
Gradeability	70 % (35°) continuous	

SERVICE REFILL CAPACITIES			
	ZX210LC-7H	ZX250LC-7H	ZX350LC-7H
Fuel tank	105.6 gal (400.0 L)	134.6 gal (510.0 L)	166.3 gal (630.0 L)
Engine coolant	7.4 gal (28.0 L)	8.2 gal (31.0 L)	12.7 gal (48.0 L)
Engine oil	6.1 gal (23.0 L)	7.7 gal (29.0 L)	12.7 gal (48.0 L)
Swing device	1.8 gal (6.9 L)	2.5 gal (9.3 L)	4.1 gal (15.7 L)
Travel device (each side)	1.8 gal (6.8 L)	2.1 gal (7.8 L)	2.9 gal (11.0 L)
Hydraulic system	63.4 gal (240.0 L)	77.6 gal (294.0 L)	89.8 gal (340.0 L)
Hydraulic oil tank	35.6 gal (135.0 L)	41.2 gal (156.0 L)	52.3 gal (198.0 L)
DEF/AdBlue® tank	15.0 gal (57.0 L)	18.5 gal (70.0 L)	18.5 gal (70.0 L)

ENVIRONMENT		
<b>Engine Emissions</b>	EPA Final Tier 4 / EU Stage IV	
<b>Sounds Level</b>		
Sound level in cab according to ISO 6396 : 2008	ZX210LC-7H	LpA 70 dB(A)
	ZX250LC-7H	LpA 67 dB(A)
	ZX350LC-7H	LpA 71 dB(A)
External sound level according to ISO 6395 : 2008 and EU Directive 2000/14/EC	ZX210LC-7H	LwA 101 dB(A)
	ZX250LC-7H	LwA 102 dB(A)
	ZX350LC-7H	LwA 105 dB(A)

# SPECIFICATIONS

## SUPER LONG FRONT

### WEIGHTS AND GROUND PRESSURE

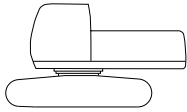
#### Operating Weight and Ground Pressure

			ZX210LC-7H		ZX250LC-7H		ZX350LC-7H	
Boom type			Monoblock		Monoblock		Monoblock	
Shoe type	Shoe width (inch (mm))	Arm length (ft-in (m))	lb (kg)	psi (kPa)	lb (kg)	psi (kPa)	lb (kg)	psi (kPa)
Triple grouser	32" (800)	19' 7" (5.98)	54,900 (24,900)	5.7 (39)	-	-	-	-
		24' 8" (7.51)	-	-	64,600 (29,300)	6.3 (44)	-	-
		30' 5" (9.26)	-	-	-	-	84,900 (38,500)	7.8 (54)

### BASIC MACHINE WEIGHT AND COMPONENTS WEIGHT

#### Basic Machine Weight and Overall Width

Excluding front end attachment, fuel, hydraulic oil and coolant etc. Including counterweight.



		ZX210LC-7H		ZX250LC-7H		ZX350LC-7H	
Shoe Type	Shoe width (inch (mm))	Weight lb (kg)	Overall width (inch (mm))	Weight lb (kg)	Overall width (inch (mm))	Weight lb (kg)	Overall width (inch (mm))
Triple grouser	32" (800)	43,800 (19,830)	10' 6" (3,190)	51,500 (23,350)	11' 1" (3,390)	66,700 (30,230)	11' 1" (3,390)

### BUCKET AND ARM DIGGING FORCE

Unit: lbf (kN)

	ZX210LC-7H	ZX250LC-7H	ZX350LC-7H
Arm length	19' 7" (5.98 m)	24' 8" (7.51 m)	30' 5" (9.26 m)
Bucket digging force* ISO 6015 : 2006	20,925 (93)	20,925 (93)	20,925 (93)
Arm crowd force* ISO 6015 : 2006	8,775 (39)	11,542 (51)	13,352 (59)

\* At power boost

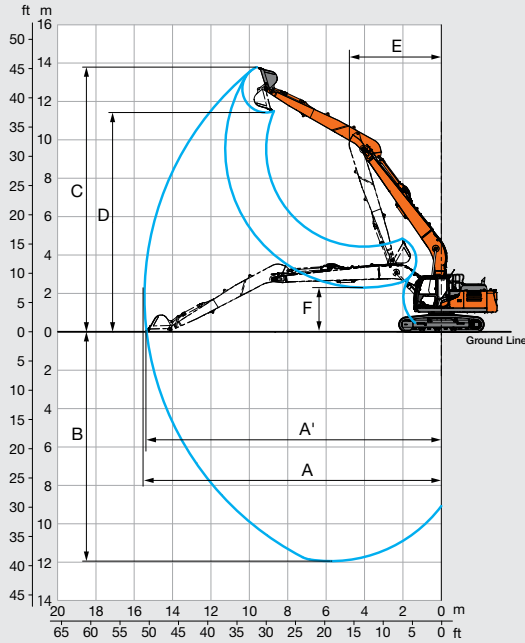


# SPECIFICATIONS

## ZX210LC-7H SUPER LONG FRONT

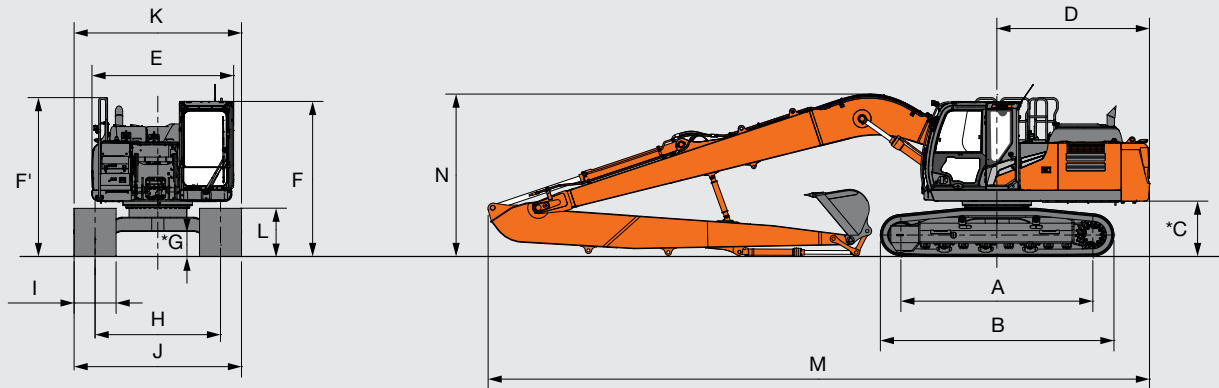
### WORKING RANGES

Unit: ft-in (mm)



	ZX210LC-7H
	Monoblock boom
Arm length	19' 7" (5.98 m)
Boom length	28' 3" (8.61 m)
A Max. digging reach	50' 9" (15,460)
A' Max. digging reach (on ground)	50' 4" (15,350)
B Max. digging depth	39' 2" (11,940)
C Max. cutting height	45' 3" (13,790)
D Max. dumping height	37' 6" (11,420)
D' Min. dumping height	7' 7" (2,300)
E Min. swing radius	15' 9" (4,810)
F Max. vertical wall digging depth	33' 10" (10,320)

### DIMENSIONS



Unit: ft-in (mm)

	ZX210LC-7H
	Monoblock boom
Boom Length	28' 3" (8.61 m)
Arm Length	19' 7" (5.98 m)
A Distance between tumbler	12' 0" (3,660)
B Undercarriage length	14' 7" (4,450)
<sup>1</sup> C Counterweight clearance	3' 3" (990)
D Rear-end swing radius	9' 7" (2,910)
D' Rear-end length	9' 7" (2,910)
E Overall width of upperstructure	8' 10" (2,700)
F Overall height of cab	9' 8" (2,950)
F' Overall height of handrail	9' 11" (3,030)
<sup>1</sup> G Min. ground clearance	1' 6" (450)
H Track gauge	7' 10" (2,390)
<sup>2</sup> I Track shoe width	2' 7" (800)
J Undercarriage width	10' 6" (3,190)
K Overall width	10' 6" (3,190)
<sup>1</sup> L Track height with triple grouser shoes	3' 00" (920)
M Overall length	41' 4" (12,600)
N Overall height of boom	10' 3" (3,130)

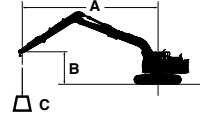
<sup>1</sup> Excluding track shoe lug

<sup>2</sup> Triple grouser shoe

# MACHINE CAPACITIES

## ZX210LC-7H SUPER LONG FRONT

- Notes:
1. Ratings are based on ISO 10567:2007.
  2. Machine capacity does not exceed 75% of tipping load with the machine on firm, level ground or 87% full hydraulic capacity.
  3. The load point is the center-line of the bucket pivot mounting pin on the arm.
  4. \* Indicates load limited by hydraulic capacity.
  5. 0 ft (0 m) = Ground.
  6. Each machine capacities values are applicable when selecting optional attachment basic piping and hose rupture valve for boom and arm.
  7. Machine specifications are determined excluding the bucket.



- A: Load radius  
B: Load point height  
C: Machine capacity

For machine capacities, subtract installed attachment and quick hitch weight from machine capacities.  
To determine lifting capacities, apply "Rating over-side or 360 degrees" machine capacities from the table and deduct weight of installed attachment and quick hitch.  
Optional feature may affect machine performance.

### ZX210LC-7H SUPER LONG FRONT

Rating over-front Rating over-side or 360 degrees Unit : lb (kg)

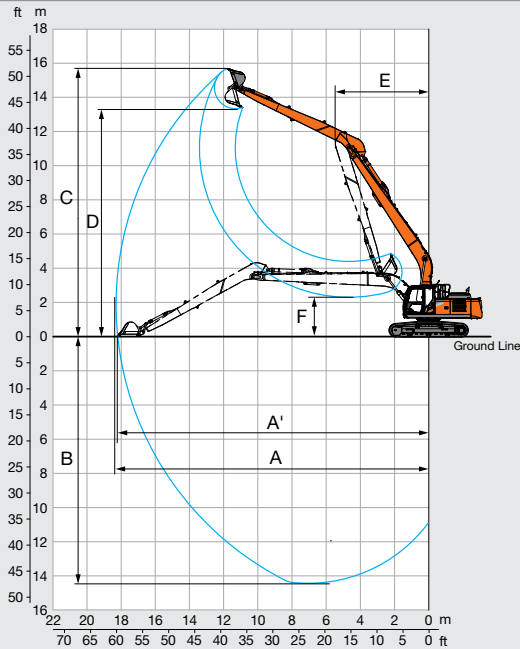
Conditions	Load point height (ft (m))	Load radius											
		5 ft (1.5 m)		10 ft (3.0 m)		15 ft (4.5 m)		20 ft (6.0 m)		25 ft (7.5 m)		30 ft (9.0 m)	
Boom 28' 3" (8.61 m) Arm 19' 7" (5.98 m) Counterweight 13,800 lb (6,250 kg)	35' (10.5)												
	30' (9.0)												
	25' (7.5)												
	20' (6.0)											*5,570 (*2,550)	*5,570 (*2,550)
	15' (4.5)									*6,850 (*3,160)	*6,850 (*3,160)	*6,240 (*2,870)	*6,240 (*2,870)
	10' (3.0)			*7,180 (*2,810)	*7,180 (*2,810)	*13,400 (*6,250)	*13,400 (*6,250)	*9,880 (*4,580)	*9,880 (*4,580)	*8,090 (*3,740)	*8,090 (*3,740)	*7,040 (*3,240)	*7,040 (*3,240)
	5' (1.5)					*12,540 (*5,260)	*12,540 (*5,260)	*11,940 (*5,530)	*11,940 (*5,530)	*9,350 (*4,320)	9,280 (4,290)	*7,850 (*3,620)	7,210 (3,340)
	0 (Ground)			*3,400 (*1,490)	*3,400 (*1,490)	*8,890 (*3,860)	*8,890 (*3,860)	*13,550 (*6,260)	11,570 (5,350)	*10,440 (*4,820)	8,680 (4,020)	*8,590 (*3,960)	6,810 (3,160)
	-5' (-1.5)	*3,660 (*1,640)	*3,660 (*1,640)	*5,070 (*2,250)	*5,070 (*2,250)	*9,160 (*4,010)	*9,160 (*4,010)	*14,570 (*6,720)	11,000 (5,090)	*11,230 (*5,180)	8,260 (3,820)	*9,170 (*4,230)	6,510 (3,020)
	-10' (-3.0)	*5,510 (*2,460)	*5,510 (*2,460)	*6,960 (*3,090)	*6,960 (*3,090)	*10,650 (*4,690)	*10,650 (*4,690)	*15,010 (*6,920)	10,730 (4,970)	*11,680 (*5,390)	8,010 (3,710)	*9,530 (*4,390)	6,320 (2,930)
	-15' (-4.5)	*7,420 (*3,310)	*7,420 (*3,310)	*9,090 (*4,040)	*9,090 (*4,040)	*12,890 (*5,670)	*12,890 (*5,670)	*14,950 (*6,900)	10,670 (4,940)	*11,760 (*5,430)	7,920 (3,670)	*9,620 (*4,440)	6,240 (2,890)
	-20' (-6.0)	*9,500 (*4,230)	*9,500 (*4,230)	*11,560 (*5,120)	*11,560 (*5,120)	*15,880 (*6,980)	*15,880 (*6,980)	*14,390 (*6,650)	10,780 (4,990)	*11,440 (*5,290)	7,970 (3,680)	*9,360 (*4,330)	6,270 (2,900)
	-25' (-7.5)	*11,880 (*5,280)	*11,880 (*5,280)	*14,570 (*6,430)	*14,570 (*6,430)	*17,180 (*7,980)	16,780 (7,770)	*13,240 (*6,150)	11,050 (5,110)	*10,580 (*4,920)	8,160 (3,770)	*8,570 (*4,000)	6,440 (2,970)
	-30' (-9.0)			*18,500 (*8,120)	*18,500 (*8,120)	*14,400 (*6,760)	*14,400 (*6,760)	*11,220 (*5,270)	*11,220 (*5,270)	*8,860 (*4,190)	8,540 (3,930)		
	-35' (-10.5)							*7,420 (*3,690)	*7,420 (*3,690)				

Conditions	Load point height (ft (m))	Load radius						At max. reach		
		35 ft (10.5 m)		40 ft (12.0 m)		45 ft (13.5 m)				ft-in (meter)
Boom 28' 3" (8.61 m) Arm 19' 7" (5.98 m) Counterweight 13,800 lb (6,250 kg)	35' (10.5)	*3,430 (*1,790)	*3,430 (*1,790)					*2,360 (*1,060)	*2,360 (*1,060)	36' 5" (11.24)
	30' (9.0)	*4,860 (*2,250)	*4,860 (*2,250)	*1,350 (*1,350)				*2,220 (*1,000)	*2,220 (*1,000)	39' 11" (12.26)
	25' (7.5)	*5,100 (*2,320)	*5,100 (*2,320)	*4,090 (*2,030)				*2,150 (*970)	*2,150 (*970)	42' 7" (13.04)
	20' (6.0)	*5,400 (*2,460)	*5,400 (*2,460)	*5,110 (*2,420)	*5,110 (*2,420)	*1,120 (*1,120)		*2,130 (*960)	*2,130 (*960)	44' 6" (13.60)
	15' (4.5)	*5,840 (*2,670)	*5,840 (*2,670)	*5,570 (*2,540)	5,040 (2,350)	*3,030 (*1,680)	*3,030 (*1,680)	*2,140 (*970)	*2,140 (*970)	45' 10" (13.98)
	10' (3.0)	*6,350 (*2,920)	6,050 (2,800)	*5,900 (*2,700)	4,860 (2,260)	*3,840 (*2,010)	*3,840 (1,840)	*2,200 (*1,000)	*2,200 (*1,000)	46' 6" (14.18)
	5' (1.5)	*6,900 (*3,170)	5,760 (2,670)	*6,260 (*2,870)	4,680 (2,170)	*4,230 (*2,210)	3,840 (1,790)	*2,300 (*1,040)	*2,300 (*1,040)	46' 8" (14.23)
	0 (Ground)	*7,400 (*3,400)	5,490 (2,550)	*6,590 (*3,030)	4,510 (2,090)	*4,150 (*2,230)	3,750 (1,740)	*2,440 (*1,100)	*2,440 (*1,100)	46' 4" (14.11)
	-5' (-1.5)	*7,810 (*3,590)	5,290 (2,450)	6,830 (*3,150)	4,380 (2,030)	*3,220 (*1,930)	*3,220 (1,710)	*2,650 (*1,200)	*2,650 (*1,200)	45' 4" (13.83)
	-10' (-3.0)	*8,060 (*3,710)		5,150 (3,130)	4,300 (1,990)			*2,940 (*1,330)	*2,940 (*1,330)	43' 10" (13.38)
	-15' (-4.5)	8,030 (3,720)	5,100 (2,360)	*6,450 (3,120)	4,300 (1,990)			*3,380 (*1,520)	*3,380 (*1,520)	41' 8" (12.73)
	-20' (-6.0)	*7,750 (*3,600)	5,160 (2,380)					*4,050 (*1,810)	*4,050 (*1,810)	38' 8" (11.85)
	-25' (-7.5)		*3,130 (2,470)					*5,230 (*2,310)	*5,230 (*2,310)	34' 9" (10.69)
	-30' (-9.0)							*6,900 (*3,130)	*6,900 (3,080)	29' 5" (9.14)
	-35' (-10.5)									(6.94)

# SPECIFICATIONS

## ZX250LC-7H SUPER LONG FRONT

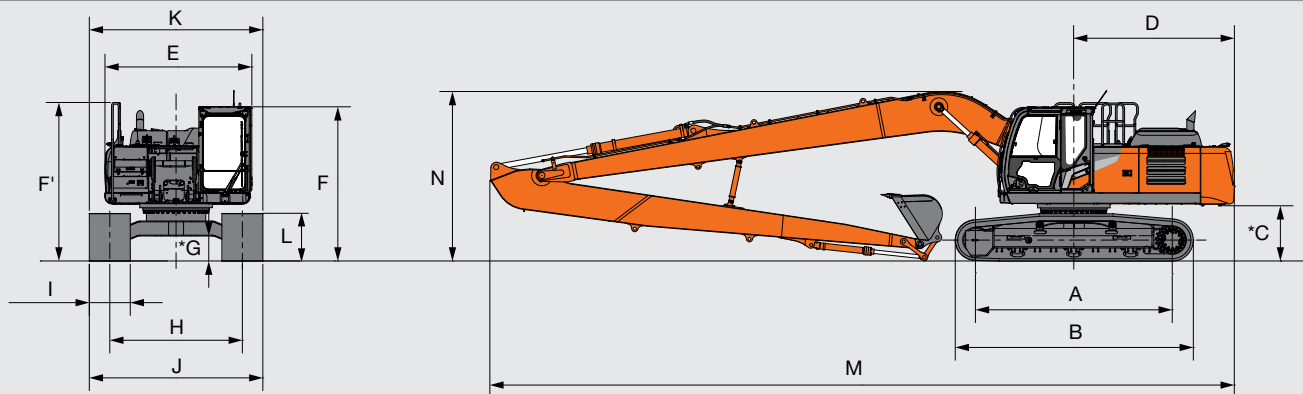
### WORKING RANGES



Unit: ft-in (mm)

	ZX250LC-7H
	Monoblock boom
Arm length	24' 8" (7.51 m)
Boom length	33' 6" (10.21 m)
A Max. digging reach	60' 0" (18,290)
A' Max. digging reach (on ground)	59' 8" (18,190)
B Max. digging depth	47' 4" (14,430)
C Max. cutting height	51' 6" (15,690)
D Max. dumping height	43' 10" (13,350)
D' Min. dumping height	7' 7" (2,310)
E Min. swing radius	17' 8" (5,390)
F Max. vertical wall digging depth	45' 5" (13,840)

### DIMENSIONS



Unit: ft-in (mm)

	ZX210LC-7H
	Monoblock boom
Boom Length	33' 6" (10.21 m)
Arm Length	24' 8" (7.51 m)
A Distance between tumbler	12' 8" (3,850)
B Undercarriage length	15' 3" (4,640)
<sup>1</sup> C Counterweight clearance	3' 5" (1,050)
D Rear-end swing radius	10' 4" (3,140)
D' Rear-end length	10' 4" (3,140)
E Overall width of upperstructure	9' 5" (2,870)
F Overall height of cab	9' 11" (3,010)
F' Overall height of handrail	10' 2" (3,090)
<sup>1</sup> G Min. ground clearance	1' 6" (460)
H Track gauge	8' 6" (2,590)
<sup>2</sup> I Track shoe width	2' 7" (800)
J Undercarriage width	11' 1" (3,390)
K Overall width	11' 1" (3,390)
<sup>1</sup> L Track height with triple grouser shoes	3' 0" (930)
M Overall length	47' 8" (14,540)
N Overall height of boom	11' 0" (3,360)

<sup>1</sup> Excluding track shoe lug

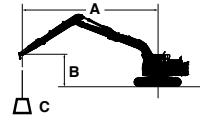
<sup>2</sup> Triple grouser shoe



# MACHINE CAPACITIES

## ZX250LC-7H SUPER LONG FRONT

- Notes:
1. Ratings are based on ISO 10567:2007.
  2. Machine capacity does not exceed 75% of tipping load with the machine on firm, level ground or 87% full hydraulic capacity.
  3. The load point is the center-line of the bucket pivot mounting pin on the arm.
  4. \* Indicates load limited by hydraulic capacity.
  5. 0 ft (0 m) = Ground.
  6. Each machine capacities values are applicable when selecting optional attachment basic piping and hose rupture valve for boom and arm.
  7. Machine specifications are determined excluding the bucket.



A: Load radius  
B: Load point height  
C: Machine capacity

For machine capacities, subtract installed attachment and quick hitch weight from machine capacities.

To determine lifting capacities, apply "Rating over-side or 360 degrees" machine capacities from the table and deduct weight of installed attachment and quick hitch. Optional feature may affect machine performance.

### ZX250LC-7H SUPER LONG FRONT

Rating over-front Rating over-side or 360 degrees Unit : lb (kg)

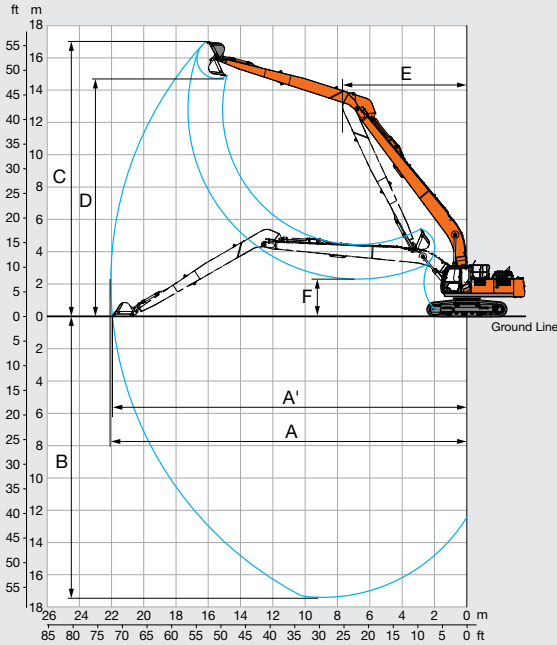
Conditions	Load point height (ft (m))	Load radius											
		5 ft (1.5 m)		10 ft (3.0 m)		15 ft (4.5 m)		20 ft (6.0 m)		25 ft (7.5 m)		30 ft (9.0 m)	
Boom 33' 6" (10.21 m)	15' (4.5)											*6,040 (*2,780)	*6,040 (*2,780)
Arm 24' 8" (7.51 m)	10' (3.0)					*14,400 (*6,730)	*14,400 (*6,730)	*10,300 (*4,790)	*10,300 (*4,790)	*8,250 (*3,820)	*8,250 (*3,820)	*7,040 (*3,250)	*7,040 (*3,250)
Counterweight 18 400 lb (8,340 kg)	5' (1.5)					*10,560 (*4,500)	*10,560 (*4,500)	*12,750 (*5,910)	*12,750 (*5,910)	*9,780 (*4,520)	*9,780 (*4,520)	*8,070 (*3,720)	*8,070 (*3,720)
	0 (Ground)			*3,510 (*1,550)	*3,510 (*1,550)	*7,990 (*3,490)	*7,990 (*3,490)	*14,730 (*6,820)	*14,730 (*6,820)	*11,130 (*5,140)	*11,130 (*5,140)	*9,020 (*4,160)	*9,020 (*4,160)
	-5' (-1.5)	*3,940 (*1,770)	*3,940 (*1,770)	*4,980 (*2,220)	*4,980 (*2,220)	*8,230 (*3,630)	*8,230 (*3,630)	*15,250 (*6,630)	14,590 (*6,630)	*12,190 (*5,630)	11,010 (5,100)	*9,820 (*4,530)	8,740 (4,050)
	-10' (-3.0)	*5,480 (*2,460)	*5,480 (*2,460)	*6,580 (*2,930)	*6,580 (*2,930)	*9,360 (*4,140)	*9,360 (*4,140)	*15,090 (*6,600)	14,170 (6,560)	*12,930 (*5,970)	10,610 (4,910)	*10,440 (*4,810)	8,410 (3,890)
	-15' (-4.5)	*7,070 (*3,170)	*7,070 (*3,170)	*8,290 (*3,690)	*8,290 (*3,690)	*10,970 (*4,850)	*10,970 (*4,850)	*16,230 (*7,110)	14,000 (6,490)	*13,360 (*5,890)	10,400 (4,820)	*10,840 (*5,000)	8,220 (3,800)
	-20' (-6.0)	*8,740 (*3,910)	*8,740 (*3,910)	*10,150 (*4,520)	*10,150 (*4,520)	*12,940 (*5,720)	*12,940 (*5,720)	*17,150 (*7,910)	14,030 (6,500)	*13,480 (*6,220)	10,350 (4,790)	*11,000 (*5,080)	8,140 (3,770)
	-25' (-7.5)	*10,530 (*4,700)	*10,530 (*4,700)	*12,210 (*5,420)	*12,210 (*5,420)	*15,300 (*6,760)	*15,300 (*6,760)	*16,720 (*7,730)	14,210 (6,580)	*13,280 (*6,140)	10,440 (4,830)	*10,910 (*5,040)	8,180 (3,780)
	-30' (-9.0)	*12,490 (*5,570)	*12,490 (*5,570)	*14,560 (*6,450)	*14,560 (*6,450)	*18,200 (*8,010)	*18,200 (*8,010)	*15,860 (*7,350)	14,520 (6,720)	*12,720 (*5,890)	10,640 (4,920)	*10,490 (*4,860)	8,340 (3,850)
	-35' (-10.5)	*14,680 (*6,530)	*14,680 (*6,530)	*17,280 (*7,650)	*17,280 (*7,650)	*18,640 (*8,690)	*18,640 (*8,690)	*14,440 (*6,730)	*14,440 (*6,730)	*11,660 (*5,440)	11,000 (5,070)	*9,600 (*4,490)	8,630 (3,970)
	-40' (-12.0)					*15,520 (*7,340)	*15,520 (*7,340)	*12,180 (*5,760)	*12,180 (*5,760)	*9,810 (*4,660)	*9,810 (*4,660)	*7,830 (*3,770)	*7,830 (*3,770)

Conditions	Load point height (ft (m))	Load radius										At max. reach			
		35 ft (10.5 m)		40 ft (12.0 m)		45 ft (13.5 m)		50 ft (15.0 m)		55 ft (16.5 m)				ft-in (meter)	
Boom 33' 6" (10.21 m)	45' (13.5)			*2,870 (*1,650)	*2,870 (*1,650)							*2,820 (*1,260)	*2,820 (*1,260)	40' 1" (12.42)	
Arm 24' 8" (7.51 m)	40' (12.0)			*4,140	*4,140	(*1,390)	(*1,390)					*2,640 (*1,190)	*2,640 (*1,190)	44' 5" (13.69)	
Counterweight 18 400 lb (8,340 kg)	35' (10.5)			*4,080	*4,080	*4,260 (*1,930)	*4,260 (*1,930)					*2,530 (*1,140)	*2,530 (*1,140)	47' 10" (14.69)	
	30' (9.0)			*4,190 (*1,900)	*4,190 (*1,900)	*4,300 (*1,950)	*4,300 (*1,950)	*2,950 (*1,650)	*2,950 (*1,650)			*2,480 (*1,120)	*2,480 (*1,120)	50' 7" (15.48)	
	25' (7.5)			*4,430 (*2,020)	*4,430 (*2,020)	*4,440 (*2,020)	*4,440 (*2,020)	*4,320 (*2,040)	*4,320 (*2,040)			*2,460 (*1,110)	*2,460 (*1,110)	52' 8" (16.10)	
	20' (6.0)	*4,940 (*2,260)	*4,940 (*2,260)	*4,790 (*2,190)	*4,790 (*2,190)	*4,680 (*2,130)	*4,680 (*2,130)	*4,640 (*2,110)	*4,640 (*2,110)	*4,640 (*2,110)	(*1,190)	(*1,190)	*2,470 (*1,120)	*2,470 (*1,120)	54' 3" (16.55)
	15' (4.5)	*5,560 (*2,550)	*5,560 (*2,550)	*5,230 (*2,390)	*5,230 (*2,390)	*4,990 (*2,280)	*4,990 (*2,280)	*4,840 (*2,210)	*4,840 (*2,210)	*2,780 (*1,620)	*2,780 (*1,620)	*2,520 (*1,140)	*2,520 (*1,140)	55' 3" (16.86)	
	10' (3.0)	*6,260 (*2,880)	*6,260 (*2,880)	*5,720 (*2,630)	*5,720 (*2,630)	*5,350 (*2,450)	*5,350 (*2,450)	*5,090 (*2,330)	4,710 (2,190)	*3,440 (*1,900)	*3,440 (1,840)	*2,590 (*1,170)	*2,590 (*1,170)	55' 10" (17.02)	
	5' (1.5)	*6,980 (*3,210)	*6,980 (*3,210)	*6,240 (*2,870)	*6,240 (*2,870)	*5,730 (*2,630)	5,420 (2,520)	*5,360 (*2,450)	4,560 (2,120)	*3,720 (*2,040)	*3,720 (1,790)	*2,700 (*1,220)	*2,700 (*1,220)	55' 12" (17.06)	
	0 (Ground)	*7,670 (*3,530)	7,490 (3,470)	*6,750 (*3,100)	6,210 (2,880)	*6,100 (*2,800)	5,210 (2,420)	*5,630 (*2,580)	4,410 (2,050)	*3,590 (*2,030)	*3,590 (1,750)	*2,860 (*1,290)	*2,860 (*1,290)	55' 8" (16.95)	
	-5' (-1.5)	*8,270 (*3,810)	7,150 (3,310)	*7,210 (*3,310)	5,960 (2,760)	*6,440 (*2,960)	5,030 (2,330)	*5,870 (*2,700)	4,290 (1,990)	(*1,790)	(1,720)	*3,060 (*1,380)	*3,060 (*1,380)	54' 10" (16.72)	
	-10' (-3.0)	*8,760 (*4,030)	6,890 (3,190)	*7,580 (*3,490)	5,760 (2,670)	*6,720 (*3,090)	4,900 (2,270)	*6,060 (*2,790)	4,210 (1,950)			*3,330 (*1,510)	*3,330 (*1,510)	53' 7" (16.34)	
-15' (-4.5)	*9,100 (*4,190)	6,730 (3,110)	*7,840 (*3,610)	5,640 (2,610)	*6,900 (*3,180)	4,820 (2,230)	*6,140 (*2,830)	4,180 (1,930)			*3,700 (*1,670)	*3,700 (*1,670)	51' 9" (15.81)		
-20' (-6.0)	*9,250 (*4,270)	6,660 (3,080)	*7,950 (*3,670)	5,600 (2,590)	*6,940 (*3,200)	4,800 (2,220)	(*2,170)	(1,940)			*4,220 (*1,890)	*4,220 (*1,890)	49' 5" (15.11)		
-25' (-7.5)	*9,180 (*4,240)	6,690 (3,090)	*7,850 (*3,640)	5,640 (2,600)	*6,730 (*3,130)	4,880 (2,250)					*4,980 (*2,220)	*4,980 (2,120)	46' 4" (14.21)		
-30' (-9.0)	*8,810 (*4,090)	6,830 (3,150)	*7,420 (*3,460)	5,790 (2,660)							*6,190 (*2,740)	5,410 (2,410)	42' 6" (13.09)		
-35' (-10.5)	*7,920 (*3,730)	7,110 (3,270)									*7,060 (*3,180)	6,540 (2,890)	37' 8" (11.65)		
-40' (-12.0)											*7,380 (*3,330)	*7,380 (*3,330)	31' 2" (9.79)		

# SPECIFICATIONS

## ZX350LC-7H SUPER LONG FRONT

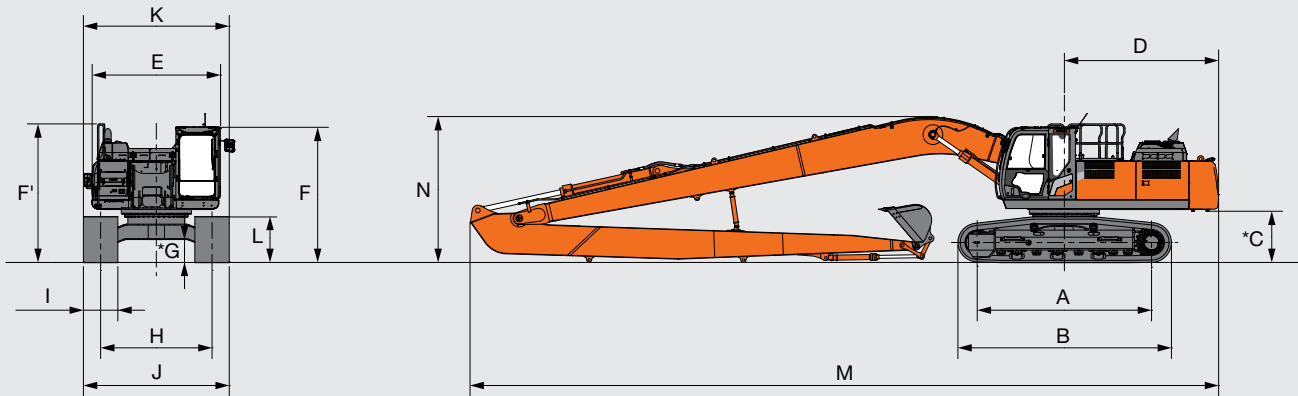
### WORKING RANGES



Unit: ft-in (mm)

	ZX350LC-7H
	Monoblock boom
Arm length	30' 5" (9.26 m)
Boom length	41' 2" (12.54 m)
A Max. digging reach	72' 3" (22,020)
A' Max. digging reach (on ground)	71' 11" (21,920)
B Max. digging depth	57' 0" (17,380)
C Max. cutting height	55' 8" (16,960)
D Max. dumping height	48' 3" (14,710)
D' Min. dumping height	7' 7" (2,300)
E Min. swing radius	25' 3" (7,690)
F Max. vertical wall digging depth	48' 4" (14,730)

### DIMENSIONS



Unit: ft-in (mm)

	ZX210LC-7H
	Monoblock boom
Boom Length	41' 2" (12.54 m)
Arm Length	30' 5" (9.24 m)
A Distance between tumblers	13' 3" (4,050)
B Undercarriage length	16' 4" (4,970)
<sup>1</sup> C Counterweight clearance	3' 10" (1,160)
D Rear-end swing radius	11' 10" (3,600)
D' Rear-end length	11' 10" (3,600)
E Overall width of upperstructure	9' 10" (2,990)
F Overall height of cab	10' 4" (3,150)
F' Overall height of handrail	10' 7" (3,230)
<sup>1</sup> G Min. ground clearance	1' 8" (500)
H Track gauge	8' 6" (2,590)
<sup>2</sup> I Track shoe width	2' 7" (800)
J Undercarriage width	11' 1" (3,390)
K Overall width	11' 1" (3,390)
<sup>1</sup> L Track height with triple grouser shoes	3' 6" (1,060)
M Overall length	57' 1" (17,400)
N Overall height of boom	11' 1" (3,390)

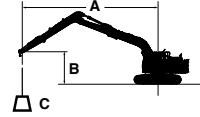
<sup>1</sup> Excluding track shoe lug

<sup>2</sup> Triple grouser shoe

# MACHINE CAPACITIES

## ZX350LC-7H SUPER LONG FRONT

- Notes:
1. Ratings are based on ISO 10567:2007.
  2. Machine capacity does not exceed 75% of tipping load with the machine on firm, level ground or 87% full hydraulic capacity.
  3. The load point is the center-line of the bucket pivot mounting pin on the arm.
  4. \* Indicates load limited by hydraulic capacity.
  5. 0 ft (0 m) = Ground.
  6. Each machine capacities values are applicable when selecting optional attachment basic piping and hose rupture valve for boom and arm.
  7. Machine specifications are determined excluding the bucket.



A: Load radius  
B: Load point height  
C: Machine capacity

For machine capacities, subtract installed attachment and quick hitch weight from machine capacities.  
To determine lifting capacities, apply "Rating over-side or 360 degrees" machine capacities from the table and deduct weight of installed attachment and quick hitch.  
Optional feature may affect machine performance.

### ZX350LC-7H SUPER LONG FRONT

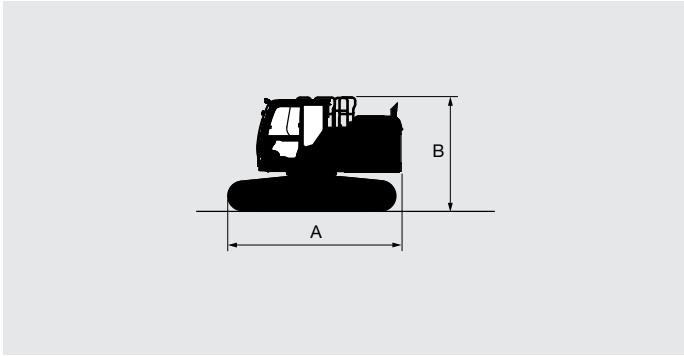
Rating over-front Rating over-side or 360 degrees Unit : lb (kg)

Conditions	Load point height (ft (m))	Load radius											
		10 ft (3.0 m)		15 ft (4.5 m)		20 ft (6.0 m)		25 ft (7.5 m)		30 ft (9.0 m)		35 ft (10.5 m)	
Boom 41' 2" (12.54 m) Arm 30' 5" (9.26 m) Counterweight 21 700 lb (8 900 kg)	10' (3.0)			*13,250 (*5,500)	*13,250 (*5,500)	*18,630 (*8,660)	*18,630 (*8,660)	*14,360 (*6,650)	*14,360 (*6,650)	*11,810 (*5,460)	*11,810 (*5,460)	*10,120 (*4,670)	*10,120 (*4,670)
	5' (1.5)			*7,280 (*3,130)	*7,280 (*3,130)	*17,640 (*7,540)	*17,640 (*7,540)	*16,140 (*7,470)	14,870 (6,860)	*13,030 (*6,020)	11,840 (5,470)	*11,000 (*5,080)	9,630 (4,460)
	0 (Ground)			*6,690 (*2,940)	*6,690 (*2,940)	*12,870 (*5,600)	*12,870 (*5,600)	*17,560 (*8,120)	13,400 (6,190)	*14,080 (*6,500)	10,780 (4,980)	*11,780 (*5,440)	8,860 (4,100)
	-5' (-1.5)	*5,100 (*2,280)	*5,100 (*2,280)	*7,390 (*3,270)	*7,390 (*3,270)	*11,910 (*5,230)	*11,910 (*5,230)	*18,540 (*8,560)	12,390 (5,730)	*14,890 (*6,870)	9,970 (4,610)	*12,420 (*5,730)	8,230 (3,810)
	-10' (-3.0)	*6,580 (*2,940)	*6,580 (*2,940)	*8,540 (*3,790)	*8,540 (*3,790)	*12,270 (*5,410)	*12,270 (*5,410)	*19,100 (*8,350)	11,760 (5,440)	9,400 (7,120)	9,400 (4,350)	*12,900 (*5,950)	7,750 (3,590)
	-15' (-4.5)	*8,060 (*3,600)	*8,060 (*3,600)	*9,910 (*4,410)	*9,910 (*4,410)	*13,280 (*5,870)	*13,280 (*5,870)	*19,230 (*8,410)	11,430 (5,290)	15,660 (*7,250)	9,050 (4,190)	12,760 (*5,910)	7,430 (3,440)
	-20' (-6.0)	*9,580 (*4,280)	*9,580 (*4,280)	*11,430 (*5,090)	*11,430 (*5,090)	*14,670 (*6,490)	*14,670 (*6,490)	*19,160 (*8,840)	11,300 (5,240)	15,470 (7,170)	8,870 (4,110)	12,560 (*5,820)	7,240 (3,360)
	-25' (-7.5)	*11,170 (*4,980)	*11,170 (*4,980)	*13,130 (*5,830)	*13,130 (*5,830)	*16,400 (*7,250)	*16,400 (*7,250)	*18,730 (*8,650)	11,350 (5,250)	15,430 (7,150)	8,840 (4,090)	12,490 (*5,790)	7,180 (3,320)
	-30' (-9.0)	*12,850 (*5,720)	*12,850 (*5,720)	*14,960 (*6,650)	*14,960 (*6,650)	*18,430 (*8,150)	15,940 (7,380)	*17,970 (*8,310)	11,530 (5,340)	*15,010 (*6,940)	8,930 (4,130)	12,540 (*5,810)	7,230 (3,340)
	-35' (-10.5)	*14,640 (*6,510)	*14,640 (*6,510)	*17,020 (*7,550)	*17,020 (*7,550)	*20,500 (*9,190)	16,420 (7,600)	*16,860 (*7,820)	11,850 (5,470)	*14,190 (*6,580)	9,150 (4,230)	*12,130 (*5,630)	7,390 (3,410)
	-40' (-12.0)	*16,570 (*7,360)	*16,570 (*7,360)	*19,320 (*8,550)	*19,320 (*8,550)	*18,410 (*8,590)	17,060 (7,880)	*15,310 (*7,140)	12,300 (5,670)	*12,980 (*6,050)	9,490 (4,380)	*11,120 (*5,190)	7,670 (3,530)
-45' (-13.5)	*18,610 (*8,280)	*18,610 (*8,280)	*19,130 (*9,040)	*19,130 (*9,040)	*15,670 (*7,390)	*15,670 (*7,390)	*13,200 (*6,220)	12,910 (5,940)	*11,240 (*5,300)	9,990 (4,590)	*9,580 (*4,540)	8,100 (3,720)	
-50' (-15.0)					*12,010 (*5,800)	*12,010 (*5,800)	*10,250 (*4,950)	*10,250 (*4,950)	*8,690 (*4,220)	*8,690 (*4,220)	*7,170 (*3,540)	*7,170 (*3,540)	

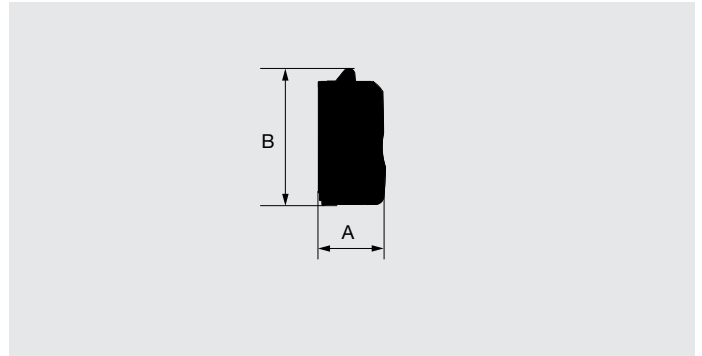
Conditions	Load point height (ft (m))	Load radius												At max. reach		
		40 ft (12.0 m)		45 ft (13.5 m)		50 ft (15.0 m)		55 ft (16.5 m)		60 ft (18.0 m)		65 ft (19.5 m)				ft-in (meter)
Boom 41' 2" (12.54 m) Arm 30' 5" (9.26 m) Counterweight 21 700 lb (8 900 kg)	45' (13.5)							*3,340 (*1,840)	*3,340 (*1,840)					*2,340 (*1,060)	*2,340 (*1,060)	56' 6" (17.36)
	40' (12.0)							*4,890 (*2,430)	*4,890 (*2,430)			(*1,320)	(*1,320)	*2,280 (*1,030)	*2,280 (*1,030)	59' 7" (18.27)
	35' (10.5)							*5,780 (*2,630)	*5,780 (*2,630)			*3,750 (*2,000)	*3,750 (*2,000)	*2,250 (*1,010)	*2,250 (*1,010)	62' 1" (19.01)
	30' (9.0)							*5,900 (*2,690)	*5,900 (*2,690)	*4,950 (*2,480)	4,840 (2,270)			*2,240 (*1,010)	*2,240 (*1,010)	64' 2" (19.61)
	25' (7.5)					*6,350 (*2,910)	*6,350 (*2,910)	*6,080 (*2,780)	5,740 (2,680)	*5,880 (*2,680)	4,720 (2,210)	*2,910 (*1,710)	*2,910 (*1,710)	*2,250 (*1,020)	*2,250 (*1,020)	65' 9" (20.08)
	20' (6.0)			*7,090 (*3,260)	*7,090 (*3,260)	*6,660 (*3,050)	6,650 (*3,050)	*6,310 (*2,890)	5,510 (2,570)	*6,040 (*2,760)	4,560 (2,140)	*3,910 (*2,110)	3,750 (1,770)	*2,290 (*1,040)	*2,290 (*1,040)	66' 11" (20.42)
	15' (4.5)	*8,270 (*3,810)	*8,270 (*3,810)	*7,560 (*3,480)	*7,560 (*3,480)	*7,000 (*3,220)	6,310 (2,930)	*6,570 (*3,010)	5,250 (2,450)	*6,220 (*2,850)	4,380 (2,050)	*4,650 (*2,430)	3,640 (1,710)	*2,350 (*1,060)	*2,350 (*1,060)	67' 9" (20.65)
	10' (3.0)	*8,930 (*4,120)	8,600 (3,980)	*8,050 (*3,700)	7,120 (3,310)	*7,370 (*3,390)	5,950 (2,770)	*6,840 (*3,140)	4,990 (2,320)	*6,420 (*2,950)	4,190 (1,960)	*5,170 (*2,680)	3,500 (1,640)	*2,430 (*1,100)	*2,430 (*1,100)	68' 2" (20.77)
	5' (1.5)	*9,580 (*4,410)	7,960 (3,690)	*8,530 (*3,930)	6,650 (3,090)	*7,740 (*3,560)	5,590 (2,600)	*7,120 (*3,270)	4,720 (2,200)	*6,620 (*3,040)	3,990 (1,860)	*5,500 (*2,710)	3,370 (1,580)	*2,540 (*1,150)	*2,540 (*1,150)	68' 2" (20.78)
	0 (Ground)	*10,170 (*4,690)	7,390 (3,420)	*8,980 (*4,140)	6,220 (2,880)	*8,090 (*3,720)	5,260 (2,450)	*7,380 (*3,390)	4,470 (2,080)	6,500 (3,020)	3,810 (1,780)	*5,570 (*2,650)	3,240 (1,520)	*2,670 (*1,210)	*2,670 (*1,210)	67' 10" (20.68)
	-5' (-1.5)	*10,670 (*4,920)	6,900 (3,200)	*9,380 (*4,320)	5,840 (2,710)	*8,340 (*3,860)	4,970 (2,310)	*7,240 (*3,360)	4,250 (2,040)	6,330 (2,940)	3,650 (1,700)	*5,260 (*2,590)	3,140 (1,470)	*2,850 (*1,290)	*2,850 (*1,290)	67' 2" (20.47)
	-10' (-3.0)	*10,980 (*5,090)	6,510 (3,020)	*9,370 (*4,340)	5,530 (2,570)	*8,090 (*3,750)	4,740 (2,200)	*7,060 (*3,270)	4,080 (1,900)	6,200 (2,880)	3,520 (1,640)	*4,400 (*2,550)	3,060 (1,430)	*3,070 (*1,390)	*2,980 (*1,350)	66' 1" (20.15)
	-15' (-4.5)	*10,690 (*4,950)	6,240 (2,890)	*9,130 (*4,230)	5,310 (2,460)	*7,910 (*3,670)	4,560 (2,120)	*6,920 (*3,210)	3,950 (1,830)	6,110 (2,840)	3,440 (1,600)	*4,190 (*2,550)	3,140 (1,470)	*2,850 (*1,290)	*2,850 (*1,290)	66' 1" (20.15)
	-20' (-6.0)	*10,510 (*4,870)	6,070 (2,810)	*8,980 (*4,160)	5,160 (2,390)	*7,790 (*3,610)	4,450 (2,060)	*6,840 (*3,170)	3,870 (1,800)	6,080 (2,820)	3,410 (1,580)			*3,720 (*1,670)	*3,720 (*1,670)	62' 7" (19.13)
	-25' (-7.5)	*10,440 (*4,830)	6,000 (2,780)	*8,920 (*4,130)	5,110 (2,370)	*7,750 (*3,590)	4,410 (2,040)	*6,840 (*3,160)	3,870 (1,790)	*4,540 (*2,830)	3,450 (1,590)			*4,210 (*1,890)	*4,210 (*1,890)	60' 3" (18.41)
	-30' (-9.0)	*10,470 (*4,840)	6,030 (2,790)	*8,950 (*4,140)	5,140 (2,380)	*7,800 (*3,610)	4,460 (2,060)	*6,920 (*3,190)	3,950 (1,820)					*4,880 (*2,180)	*4,880 (*2,180)	57' 3" (17.54)
	-35' (-10.5)	*10,470 (*4,870)	6,160 (2,840)	*9,080 (*4,200)	5,270 (2,430)	*7,840 (*3,670)	4,610 (2,120)							*5,870 (*2,590)	*5,870 (*2,590)	54' 8" (16.48)
	-40' (-12.0)	*9,550 (*4,480)	6,410 (2,950)	*8,160 (*3,850)	5,520 (2,530)									*6,960 (*3,150)	*6,960 (*3,150)	49' 3" (15.21)
	-45' (-13.5)	*8,080 (*3,860)	6,820 (3,120)											*6,880 (*3,130)	*6,880 (*3,130)	43' 11" (13.64)
	-50' (-15.0)													*6,500 (*2,990)	*6,500 (*2,990)	37' 1" (11.67)

# TRANSPORTATION SUPER LONG FRONT

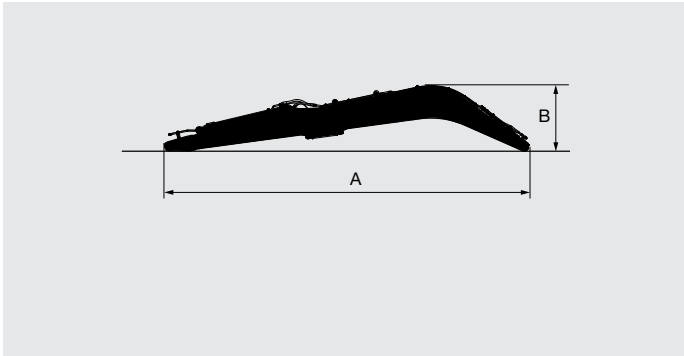
BASIC MACHINE (WITHOUT COUNTERWEIGHT)



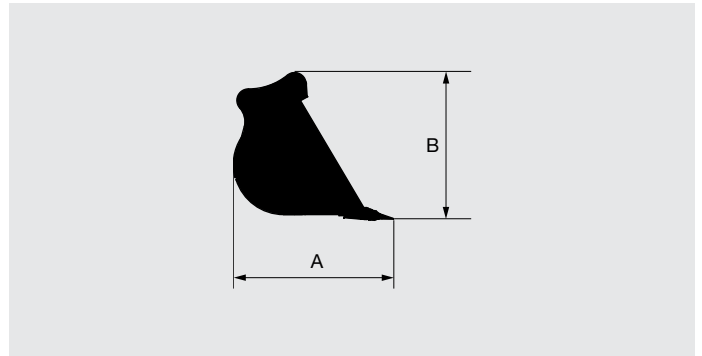
COUNTERWEIGHT



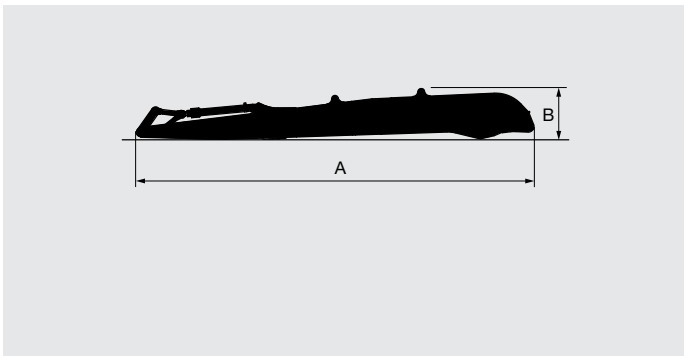
BOOM



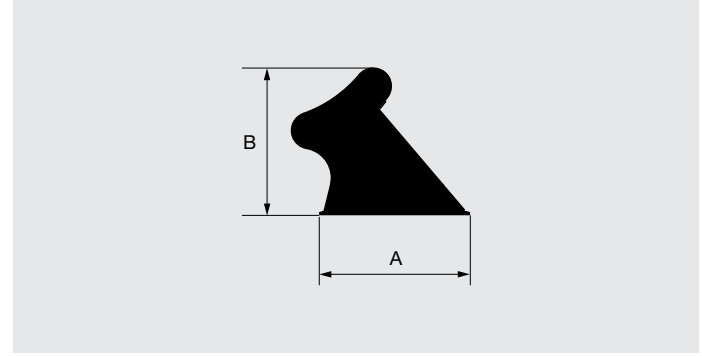
BUCKET



ARM



SLOPE FINISHING BUCKET



## BASIC MACHINE (WITHOUT COUNTERWEIGHT)

	Shoe width (inch (mm))	A (ft-in (mm))	B (ft-in (mm))	Overall width (ft-in (mm))	Weight (lb (kg))
ZX210LC-7H	32" (800)	16' 0" (4,880)	9' 11" (3,030)	10' 6" (3,190)	32 200 (14,600)
ZX250LC-7H	32" (800)	17' 1" (5,210)	8' 5" (2,570)	10' 6" (3,190)	35 800 (16,210)
ZX350LC-7H	32" (800)	19' 3" (5,870)	10' 7" (3,230)	11' 1" (3,390)	48 600 (22,000)

## BOOM

	A (ft-in (mm))	B (ft-in (mm))	Overall width (ft-in (mm))	Weight (lb (kg))
ZX210LC-7H	28' 11" (8,820)	5' 1" (1,540)	3' 2" (960)	5 160 (2,340)
ZX250LC-7H	34' 3" (10,430)	5' 2" (1,580)	3' 3" (990)	6 160 (2,790)
ZX350LC-7H	41' 12" (12,800)	5' 5" (1,650)	3' 5" (1,050)	9 040 (4,100)

## ARM

	A (ft-in (mm))	B (ft-in (mm))	Overall width (ft-in (mm))	Weight (lb (kg))
ZX210LC-7H	22' 12" (7,010)	2' 11" (890)	1' 6" (460)	5 160 (2,340)
ZX250LC-7H	28' 2" (8,590)	3' 2" (970)	1' 6" (460)	3 140 (1,420)
ZX350LC-7H	34' 4" (10,460)	3' 8" (1,120)	1' 6" (460)	4 480 (2,030)

## COUNTERWEIGHT

	A (ft-in (mm))	B (ft-in (mm))	Overall width (ft-in (mm))	Weight (lb (kg))
ZX210LC-7H	2' 0" (610)	4' 2" (1,260)	8' 9" (2,670)	13 800 (6,250)
ZX250LC-7H	2' 5" (730)	4' 2" (1,260)	9' 3" (2,830)	18 400 (8,340)
ZX350LC-7H	2' 10" (860)	4' 1" (1,250)	9' 8" (2,950)	21 700 (9,800)

## BUCKET

	A (ft-in (mm))	B (ft-in (mm))	Overall width (ft-in (mm))	Weight (lb (kg))
ZX210LC-7H	3' 11" (1,190)	3' 7" (1,100)	2' 11" (900)	875 (395)
ZX250LC-7H	3' 10" (1,180)	3' 7" (1,080)	3' 1" (950)	905 (410)
ZX350LC-7H	4' 0" (1,210)	3' 5" (1,050)	2' 4" (720)	750 (340)

## SLOPE FINISHING BUCKET

	A (ft-in (mm))	B (ft-in (mm))	Overall width (ft-in (mm))	Weight (lb (kg))
ZX210LC-7H	2' 9" (840)	2' 3" (690)	5' 1" (1,550)	655 (295)

# EQUIPMENT SUPER LONG FRONT

● : Standard equipment ○ : Optional equipment - : Not applicable

ENGINE	ZX-7H 210LC	ZX-7H 250LC	ZX-7H 350LC
Aftertreatment device	●	●	●
Air cleaner double filters	●	●	●
Alternator 60 A	●	●	●
Auto idle system	●	●	●
Auto shut-down control	●	●	●
Cartridge-type engine oil filter	●	●	●
Cartridge-type fuel main filter	●	●	●
Cold fuel resistance valve	●	●	●
ConSite OIL (sensor)*	●	●	●
DEF / AdBlue® tank	●	●	●
DEF / AdBlue® tank inlet strainer and extension filler	●	●	●
Dry-type air filter with evacuator valve (with air filter restriction indicator)	●	●	●
Dust-proof indoor net	●	●	●
ECO / PWR mode control	●	●	●
Electrical fuel feed pump	●	●	●
Engine oil drain coupler	●	●	●
Expansion tank	●	●	●
Fan guard	●	●	●
Fuel cooler	●	●	●
Fuel pre-filter with water separator	●	●	●
Isolation-mounted engine	●	●	●
Maintenance free pre-cleaner	○	○	○
Radiator, oil cooler and intercooler	●	●	●

HYDRAULIC SYSTEM	ZX-7H 210LC	ZX-7H 250LC	ZX-7H 350LC
Auto power lift	●	●	●
ConSite OIL (sensor)*	●	●	●
Control valve with main relief valve	●	●	●
High mesh full flow filter	●	●	●
Pilot filter	●	●	●
Power boost	●	●	●
Restriction indicator for full flow filter	○	○	○
Suction filter	●	●	●
Swing dampener valve	●	●	●
Two extra ports for control valve	●	●	●
Work mode selector	●	●	●

CAB	ZX-7H 210LC	ZX-7H 250LC	ZX-7H 350LC
All-weather sound suppressed steel cab	●	●	●
Auto control air conditioner	●	●	●
Bluetooth® integrated radio	●	●	●
Console height adjustment	●	●	●
Control lever auto-lock	●	●	●
CRES VII (center pillar reinforced structure) cab	●	●	●
Drink holder with hot and cool function	●	●	●
Electric double horn	●	●	●
Engine shut-off switch	●	●	●
Equipped with reinforced, tinted (green color) glass windows	●	●	●
Evacuation hammer	●	●	●
Floor mat	●	●	●
Fluid-filled elastic mounts (4)	●	●	●
Footrest	●	●	●
Front window washer (2 points)	●	●	●
Glove compartment	●	●	●
Hands-free calling device	●	●	●
Hot and cool box	●	●	●
Intermittent windshield wipers	●	●	●
Key cylinder light	●	●	●
LED room light	●	●	●
Magazine rack	●	●	●
OPG front guard Level II (ISO 10262 : 1998) compliant	○	○	○
OPG top guard Level I (ISO 10262 : 1998) compliant	●	●	●
OPG top guard Level II (ISO 10262 : 1998) compliant	○	○	○
Pilot shut-off lever	●	●	●
Power outlet 12 V and 24 V	●	●	●
Push button low idle	●	●	●
Rain guard (without OPG front guard)	●	●	●
Rear tray	●	●	●
Retractable seat belt 3 in. (76 mm)	●	●	●
ROPS (ISO 12117-2 : 2008) compliant cab	●	●	●
Rubber radio antenna	●	●	●
Seat : air suspension seat with heater	●	●	●
Seat adjustment part : backrest, armrest, height and angle, slide forward / back	●	●	●
Seat belt reminder	●	●	●
Short wrist control levers	●	●	●
Smartphone holder	●	●	●
Stereo speakers (2)	●	●	●
Straight travel pedal	○	○	○
Sunscreen roller type (multi-use front or side and rear window)	●	●	●
Transparent roof with slide curtain	●	●	●
USB power supply	●	●	●
Wide view wiper	●	●	●
Windows on front, upper, lower and left side can be opened	●	●	●
8" monitor	●	●	●

● : Standard equipment ○ : Optional equipment - : Not applicable

MONITOR SYSTEM	ZX-7H 210LC	ZX-7H 250LC	ZX-7H 350LC
Alarm buzzers: overheat, engine oil pressure, SCR system trouble, etc	●	●	●
Alarms: overheat, engine warning, engine oil pressure, alternator, minimum fuel level, hydraulic filter restriction, air filter restriction, work mode, SCR system trouble, etc	●	●	●
Display of meters: water temperature, hour, fuel rate, clock, DEF / AdBlue® rate, etc	●	●	●
Other displays: work mode, auto-idle, glow, rearview monitor, operating conditions, etc	●	●	●
35 languages selection	●	●	●

LIGHTS	ZX-7H 210LC	ZX-7H 250LC	ZX-7H 350LC
Additional boom LED light with cover	●	●	●
Additional cab roof front LED lights	●	●	●
LED lights for camera (side and rear view camera)	●	●	●
Rotating lamp	○	○	○
Working LED lights (2)	●	●	●

UPPER STRUCTURE	ZX-7H 210LC	ZX-7H 250LC	ZX-7H 350LC
AERIAL ANGLE (270° view camera system)	●	●	●
Batteries 2 x 126 Ah	●	●	●
Body top handrail	●	●	●
Control pattern changer (ISO / BH)	●	●	●
Counterweight 13,800 lb (6 250 kg)	●	-	-
Counterweight 18,400 lb (8 340 kg)	-	●	-
Counterweight 21,700 lb (9 800 kg)	-	-	●
Fuel level float	●	●	●
HD undercover	○	○	○
Hydraulic oil level gauge	●	●	●
Lockable fuel refilling cap	●	●	●
Lockable machine covers	●	●	●
Lockable tool box	●	●	●
Platform handrail	●	●	●
Side view mirror (right and left)	●	●	●
Skid-resistant plates	●	●	●
Swing parking brake	●	●	●
Undercover	●	●	●
Utility space	●	●	●
2 way battery disconnect switch	●	●	●

UNDERCARRIAGE	ZX-7H 210LC	ZX-7H 250LC	ZX-7H 350LC
Bolt-on sprocket	●	●	●
Greasing type track adjuster	●	●	●
Reinforced track links with pin seals	●	●	●
Shoe: 32" (800 mm) triple grouser	●	●	●
Tie down brackets (4)	●	●	●
Towing hole for light weight object	●	●	●
Track guards (3 each side)	●	●	●
Track undercover	○	○	○
Travel direction mark on track frame	●	●	●
Travel motor covers	●	●	●
Travel parking brake	●	●	●
Upper and lower rollers	●	●	●

FRONT ATTACHMENTS	ZX-7H 210LC	ZX-7H 250LC	ZX-7H 350LC
Arm 19' 7" (5.98 m)	●	-	-
Arm 24' 8" (7.51 m)	-	●	-
Arm 30' 5" (9.26 m)	-	-	●
Boom 28' 3" (8.61 m)	●	-	-
Boom 33' 6" (10.21 m)	-	●	-
Boom 41' 2" (12.54 m)	-	-	●
Centralized lubrication system	●	●	●
Dirt seal on all bucket pins	●	●	●
Flanged pin	●	●	●
HN bushing	●	●	●
Reinforced resin thrust plate	●	●	●
Slope finishing bucket 0.39 yd <sup>2</sup> (0.3 m <sup>2</sup> )	○	-	-
WC (tungsten-carbide) thermal spraying	●	●	●

MISCELLANEOUS	ZX-7H 210LC	ZX-7H 250LC	ZX-7H 350LC
ConSite	○	○	○
Exclusive Global e-Service telematics	●	●	●
Onboard information controller	●	●	●
Satellite communication device	○	○	○
Standard tool kit	●	●	●
Travel alarm	●	●	●

Standard and optional equipment may vary by country, so please consult authorized dealer for details.

\* Engine oil and hydraulic oil monitoring sensor.







# HITACHI

## Reliable Solutions



## REPUTATIONS ARE **BUILT ON IT.**

A legacy built on quality products and service: this is our story. For more than 50 years, Hitachi Construction Machinery Americas has been the regional partner of Hitachi Construction Machinery Group, headquartered in Japan.

Well-respected in North America since the 1970s when Hitachi Construction Machinery Group led a prominent joint venture, Hitachi Construction Machinery Americas recently established a new facility in Newnan, GA. that is poised to support local customers for years to come.

With input from construction professionals on every continent, our machinery is manufactured at state-of-the-art facilities in Japan and exported for sale across the world.

Your local Hitachi Construction Machinery Americas dealer has the resources, expertise, and personnel to work with you, ensuring the best return on investment. Utilizing carefully designed programs and services in conjunction with extensive digital resources, Hitachi Construction Machinery Americas provides a focused approach to supporting you, your business, and the durable construction machinery that your operation relies upon.

Machines in this brochure may be representative of global products not sold in the North American market, and used for illustrative purposes only. Options may not be available in all markets. Before operating this machine (incl. satellite communication system) outside of its original country of sale, it may be necessary to make modifications to comply with local regulatory, safety, and legal requirements. Please do not export or operate this machine outside the country of its intended use until such compliance has been confirmed. Contact your dealer for more assistance with regional compliance.

