



TGC-18 Tailgate Spreader

The TGC-18 attachment is designed to be used for: road shoulder berming, back filling trenches, pothole repair and conveying both hot and cold asphalt. For winter road maintenance, the unit can be used for center line discharge of sand or salt. When equipped with the optional spinner attachment the TGC-18 becomes a unit capable of spreading deicing control material or spreading aggregates for chip-sealing projects.

High Productivity Features

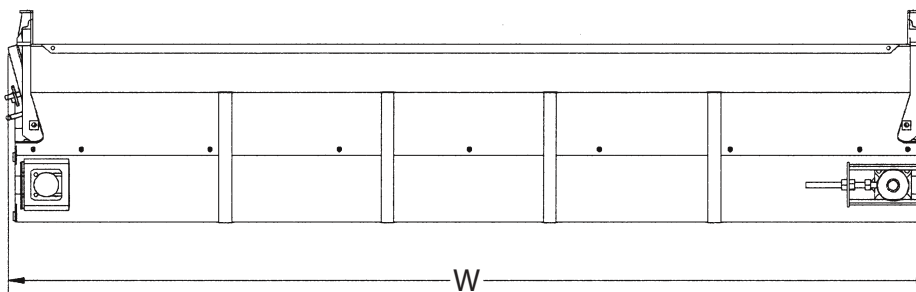
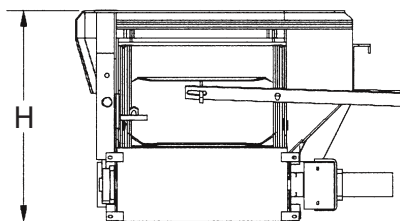
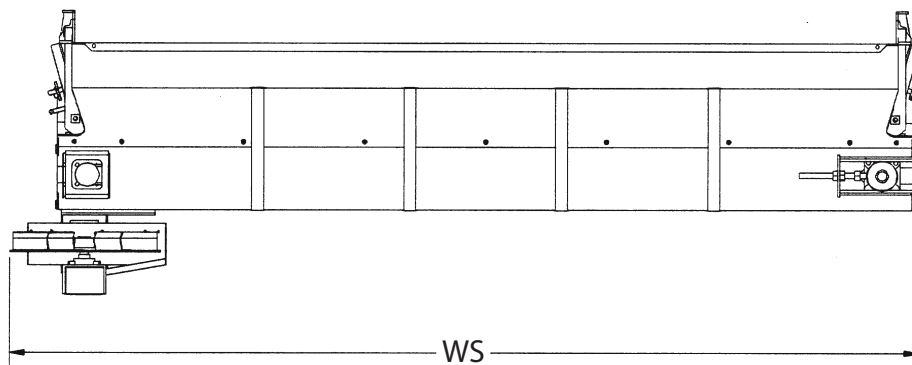
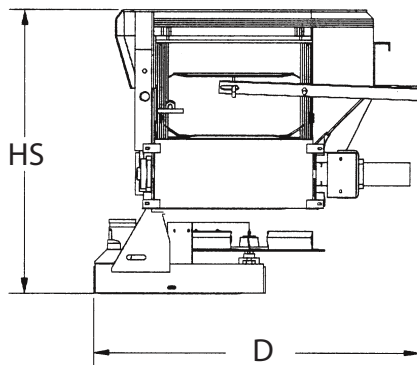
- Direct Drive Motor is reversible for left-hand or right-hand discharge
- Standard unit is equipped with Hi-temp belt over chain. The belt is rated for -10 F to 350 F use
- Optional spinner assembly for the spreading of deicing materials.

Low Maintenance Features

- A quick disconnect kit makes installation and removal simple and requires no additional tools
- Heavy-duty 7-gauge trough, bottom and endgates.

HI-WAY TGC-18

TGC-18					
Height w/ spinner (HS)	Height w/out spinner (H)	Depth (D)	Width w/ spinner (WS)	Width w/out spinner (W)	Shipping Weight
34.5"	24.5"	42.5"	108"	102"	750 lbs.



Products and specifications subject to change without notice.
 Photos and illustrations may or may not include optional equipment.
 Hi-Way® is a registered trademark of Highway Equipment Company, Inc., d/b/a New Leader Manufacturing.
 © 2023 Highway Equipment Company, Inc., d/b/a New Leader Manufacturing.
 TGC18-F&B