



E2020XT Heavy-Duty Spreader

Municipalities who want superior control make the E2020XT heavy-duty spreader their first choice for winter deicing. With intuitive design elements like idler and drive assemblies that quickly remove for faster service, the E2020XT makes jobs seamless and easier. Mounts directly to dump body or truck chassis.

PRODUCTIVITY FEATURES

- Carbon steel units consist of a heavy-duty 10-gauge hopper and stakes with 7-gauge conveyor bottom panel and sills. Stainless steel units are constructed of a 12-gauge hopper and stakes with 10-gauge conveyor bottom panel and sills.
- A 24" (61cm) wide roller chain conveyor with 3/8" x 1-1/2" (.95cm x 3.8cm) crossbars for spreading granular materials. The conveyor is driven by a 6:1 reduction, 98% efficient spur gear drive with a hi-torque/low-speed hydraulic motor.
- A fully-enclosed height-adjustable hydraulic-drive spinner with two internal deflectors, a 20" (51cm) diameter spinner disc including six bolt-on hardened fins. Material direction and distance is controlled by one fixed position baffle and three adjustable baffles. No tools are required to adjust the baffles.

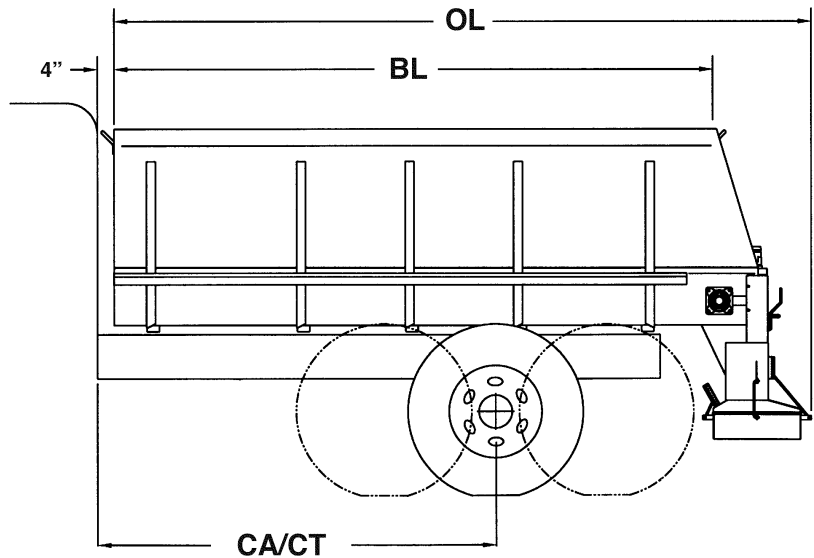
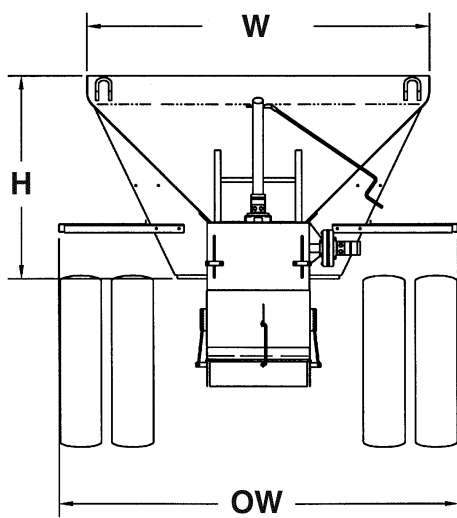
OPTIONAL FEATURES

- A #2 pintle chain, #4 belt-over-chain, or #5 straight belt conveyor are available for spreading a variety of materials.
- Available hydraulic options include both Series System or Manual Dual System hydraulic control.
- An inverted "V" that mounts in a fixed or swinging position to reduce material bridging while protecting the conveyor.
- Other popular body options include screens, spring loaded idlers, extended idler adjustment and extended idler grease tubes to the rear of the machine.
- For chassis mounted units; fenders, cab-shield and spill shields are available options.
- Convenient dump body mounting kits or spring loaded chassis mount kits.

HI-WAY E2020XT

E2020XT								
Length (ft)	Length (m)	Body Width	Overall Width w/ Fenders	Overall Length	Height	Struck Capacity	Truck CA/CT*	Approx. Body Weight
9'	2.74	82"	96"	130.75"	49.5"	4.7 yds3	72"	1920 lbs. (871 kg)
10'	3.05	82"	96"	142.75"	49.5"	5.2 yds3	84"	2020 lbs. (916 kg)
11'	3.35	82"	96"	154.75"	49.5"	5.8 yds3	84"	2150 lbs. (975 kg)
12'	3.66	82"	96"	166.75"	49.5"	6.3 yds3	102"	2385 lbs. (1082 kg)
13'	3.96	82"	96"	178.75"	49.5"	6.9 yds3	102"/108"	2535 lbs. (1150 kg)
14'	4.27	82"	96"	190.75"	49.5"	7.5 yds3	120"	2675 lbs. (1213 kg)
15'	4.57	82"	96"	210.00"	49.5"	8.0 yds3	130"	2825 lbs. (1281 kg)
16'	4.88	82"	96"	222.00"	49.5"	8.6 yds3	138"	2975 lbs. (1349 kg)

*The Cab to Axle/Tandem dimensions are only guidelines. Consult federal, state and local weight laws and chassis manufacturer's ratings to ensure neither government weight restrictions, nor GVWR and GAWRs are exceeded.



Products and specifications subject to change without notice.
 Photos and illustrations may or may not include optional equipment.
 Hi-Way® is a registered trademark of Highway Equipment Company, Inc., d/b/a New Leader Manufacturing.
 © 2023 Highway Equipment Company, Inc., d/b/a New Leader Manufacturing.
 E2020XT_F&B