

SPECIFICATIONS

HX300^A LR

Powered By Cummins Performance Series Engine

Net Power
190 kW (255 HP)
at 2,200 rpm

Standard Bucket
.52 m³ (.68 yd³)

Operating Weight
33,590 (74,050)



ENGINE

Maker / Model	Cummins B6.7
Type	Tier 4F/ Stage V Emission Certified, 6 cylinder diesel engine with No Manual Regeneration.
Gross Power	260 HP (194 kW) at 2,200 rpm
Net Power	255 HP (190 kW) at 2,200 rpm
Max. Power	282 HP (210 kW) at 1,800 rpm
Peak Torque	996 lb-ft (1,350 N-m) at 1,300 rpm
Displacement	6.7 l (408 cu in)

HYDRAULIC SYSTEM

MAIN PUMP

Type	Variable displacement tandem axis piston pumps
Max. Flow	2 × 285 l/min (75.3 U.S. gpm)
Sub-Pump for Pilot Circuit	Gear pump

Cross-sensing and fuel saving pump system.

AUXILIARY PRESSURE

2 Way	Flow (l/min)	26.4 gpm / (100 lpm)
	Pressure (bar)	2,611 psi / (180 bar)
Rotating	Flow (l/min)	15.9 gpm / (60 lpm)
	Pressure (bar)	4,062 psi / (280 bar)

HYDRAULIC MOTORS

Travel	Variable displacement axial piston motor
Swing	Axial piston motor

RELIEF VALVE SETTING

Implement Circuits	350 kgf/cm ² (4,980 psi)
Travel	350 kgf/cm ² (4,980 psi)
Power Boost (Boom, Arm, Bucket)	380 kgf/cm ² (5,400 psi)
Swing Circuit	300 kgf/cm ² (4,270 psi)
Pilot Circuit	40 kgf/cm ² (570 psi)
Service Valve	Installed

HYDRAULIC CYLINDERS

No. of Cylinder Bore X Stroke	Boom : Ø140 × 1,465 mm
	Arm : Ø150 × 1,765 mm
	Bucket : Ø135 × 1,185 mm

DRIVES & BRAKES

Drive Method	Fully hydrostatic type
Drive Motor	Axial piston motor, in-shoe design
Reduction System	Planetary reduction gear
Max. Drawbar Pull	27,405 kgf (60,417 lbf)
Max. Travel Speed (High / Low)	6.1 km/hr (3.8 mph) / 3.4 km/hr (2.1 mph)
Gradeability	35° (70%)
Parking Brake	Multi wet disc

CONTROL

Pilot pressure operated joysticks and pedals with detachable lever provide almost effortless and fatigueless operation.

Pilot Control	Two joysticks with one safety lever (LH) : Swing and arm, Boom and bucket
Traveling and Steering	Two levers with pedals
Engine Throttle	Electric, dial type

OPERATING WEIGHT (APPROXIMATE)

Operating weight, including 10.2 m (33' 6") boom, 7.85 m (25' 9") arm, SAE heaped .52 m³(.68 yd³) bucket, lubricant, coolant, full fuel tank, full hydraulic tank, 800 mm (32" shoe), and all standard equipments.

OPERATING WEIGHT

Type	Width mm (in)	Operating Weight		Ground Pressure
		kg (lb)	kgf/cm ² (psi)	
Triple Grouser	800 (32")	HX300ALR	74,050 (33,590 kg)	0.45 (6.46)
	900 (36")	HX300ALR	74,670 (33,870 kg)	0.42 (6.02)

SWING SYSTEM

Swing Motor	Fixed Displacement Axial Piston Motor
Swing Reduction	Planetary Gear Reduction
Swing Bearing Lubrication	Grease-Bathed
Swing Brake	Multi Wet Disc
Swing Speed	11.2 rpm

COOLANT & LUBRICANT CAPACITY

	LITER	US gal
Fuel Tank	500	132.1
Engine Coolant	42	11.1
Engine Oil	24.4	6.4
Swing Device	11	2.9
Final Drive (Each)	7.8	2.06
Hydraulic System (Including Tank)	330	87.2
Hydraulic Tank	190	50.2
DEF/AdBlue®	70	18.5

UNDERCARRIAGE

The X-leg type center frame is integrally welded with reinforced box-section track frames. The undercarriage includes lubricated rollers, idlers, track adjusters with shock absorbing springs and sprockets, and a track chain with double or triple grouser shoes.

	X - Leg Type
Center Frame	Pentagonal Box Type
Track Frame	
No. of Shoes on Each Side	48 EA
No. of Carrier Roller on Each Side	2 EA
No. of Track Roller on Each Side	9 EA
No. of Rail Guard on Each Side	2 EA

CAB NOISE LEVEL

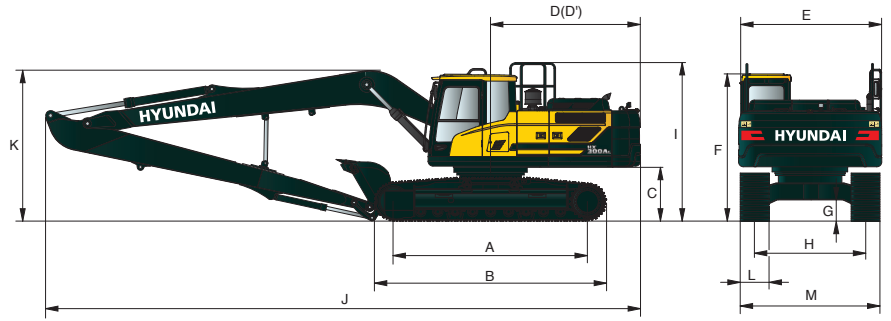
Guaranteed noise level presented below can be differed depending on a range of factors such as operating condition, speed of a cooling fan, types of engine and so forth. Hearing protection shall be necessary if an operator is working in the improperly aintained cabin or exposed to a noisy environment by leaving doors and/or windows open. With cooling fan speed at maximum value:

Operator sound pressure level (ISO 6396:2008)	70 dB(A)
Exterior sound power level (ISO 6395:2008)	98 dB(A)

* Distance of 15 m (49.2 ft), moving forward in second gear ratio

SPECIFICATIONS HX300A LR

Powered By Cummins Performance Series Engine



HX300AL LONG REACH DIMENSIONS

Unit: mm
(ft-in)

10.2 m (33' 6") BOOM and 7.85 m (25' 9") ARM

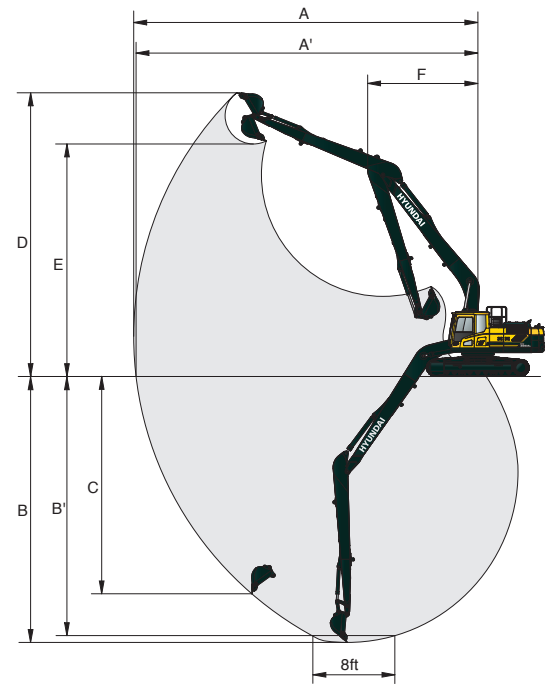
A	Tumbler Distance	4,030 (13' 3")
B	Overall Length of Crawler Ground Clearance	4,940 (16' 2")
C	of Counter weight	1,185 (3' 9")
D	Tail Swing Radius	3,210 (10' 5")
D'	Rear-End Length	3,120 (10' 3")
E	Overall Width of Upper Structure	2,980 (9' 9")
F	Overall Height of Cab	3,130 (10' 3")
G	Min. Ground Clearance	500 (1' 8")
H	Track Gauge	2,600 (8' 6")
I	Overall Height of Guardrail	3,335 (10' 9")

	Boom Length	10,200 (33' 6")
	Arm Length	7,850 (25' 9")
J	Overall Length	14,600 (47' 11")
K	Overall Height of Boom	3,560 (11' 8")
L	Track Shoe Width	800 (2' 7")
M	Overall Width	3,400 (11' 2")

HX300AL LONG REACH WORKING RANGE

Unit : mm (ft-in)

	Boom Length	10,200 (33' 6")
	Arm Length	7,850 (25' 9")
A	Max. Digging Reach	18,530 (60' 10")
A'	Max. Digging Reach on Ground	18,410 (60' 5")
B	Max. Digging Depth	14,740 (48' 4")
B'	Max. Digging Depth (8' Level)	14,660 (48' 1")
C	Max. Vertical Wall Digging Depth	13,700 (44' 11")
D	Max. Digging Height	14,590 (47' 10")
E	Max. Dumping Height	12,270 (40' 3")
F	Min. Swing Radius	6,270 (20' 7")



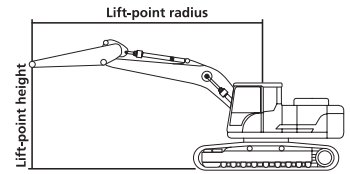
HX300AL LONG REACH DIGGING FORCE

Boom	Length	mm (ft-in)	10,200 (33' 6")
	Weight	kg (lb)	2,980 (6,570)
Arm	Length	mm (ft-in)	7,850 (25' 9")
	Weight	kg (lb)	1,685 (3,710)
Bucket Digging Force	SAE	kN	70.6
		kgf	7,200
		lbf	15,870
	ISO	kN	82.4
		kgf	8,400
		lbf	18,520
Arm Crowd Force	SAE	kN	47.1
		kgf	4,800
		lbf	10,580
	ISO	kN	48.1
		kgf	4,900
		lbf	10,800

Note : Boom weight includes arm cylinder, piping, and pin
Arm weight includes bucket cylinder, linkage, and pin

SPECIFICATIONS HX300A LR

Powered By Cummins Performance Series Engine



Lifting Capacity

Boom: 10.20 m (33' 6")


Arm: 7.85 m (25' 9")


Bucket: .52 m³ (.68 yd³) SAE heaped

Shoe 800 mm (32") triple grouser, CWT 7,000 kg (15,432 lb)

Capacities based on North American Standard Configuration

in accordance with ISO condition 2 standard

Rating over front 

Rating over side or 360 degree 

Lift-point height (m/ft)	Lift-point radius												At max. reach												
	1.5m (4.9ft)	3.0m (9.8ft)	4.5m (14.8ft)	6.0m (19.7ft)	7.5m (24.6ft)	9.0m (29.5ft)	10.5m (34.4ft)	12.0m (39.4ft)	13.5m (44.3ft)	15.0m (49.2ft)	16.5m (54.1ft)	Capacity	Reach												
12.0m kg									*1,060	*1,060			*750	*750	14.12										
39.4ft lb									*2,340	*2,340			*1,650	*1,650	(46.3)										
10.5m kg									*1,360	*1,360	*770	*770	*720	*720	15.07										
34.4ft lb									*3,000	*3,000	*1,700	*1,700	*1,590	*1,590	(49.5)										
9.0m kg									*1,540	*1,540	*1,150	*1,150	*700	*700	15.83										
29.5ft lb									*3,400	*3,400	*2,540	*2,540	*1,540	*1,540	(51.9)										
7.5m kg									*1,710	*1,710	*1,400	*1,400	*700	*700	16.41										
24.6ft lb									*3,770	*3,770	*3,090	*3,090	*1,540	*1,540	(53.8)										
6.0m kg									*2,070	*2,070	*1,910	*1,910	*1,600	*1,600	*960	*960	*710	*710	16.83						
19.7ft lb									*4,560	*4,560	*4,210	*4,210	*3,530	*3,530	*2,120	*2,120	*1,570	*1,570	(55.2)						
4.5m kg									*2,620	*2,620	*2,430	*2,430	*2,170	*2,170	*1,810	*1,810	*1,180	*1,180	*730	*730	17.12				
14.8ft lb									*5,780	*5,780	*5,360	*5,360	*4,780	*4,780	*3,990	*3,990	*2,600	*2,600	*1,610	*1,610	(56.2)				
3.0m kg			*7,990	*7,990			*4,550	*4,550	*3,870	*3,870	*3,420	*3,420	*2,970	*2,970	*2,520	*2,520	*2,030	*2,030	*1,340	*1,340	*760	*760	17.26		
9.8ft lb			*17,610	*17,610			*10,030	*10,030	*8,530	*8,530	*7,540	*7,540	*6,550	*6,550	*5,560	*5,560	*4,480	*4,480	*2,950	*2,950	*1,680	*1,680	(56.6)		
1.5m kg			*4,090	*4,090	*7,100	*7,100	*5,420	*5,420	*4,460	*4,460	*3,840	3,630	*3,420	2,950	*2,960	2,430	*2,270	2,010	*1,450	*1,450	*810	*810	17.28		
4.9ft lb			*9,020	*9,020	*15,650	*15,650	*11,950	*11,950	*9,830	*9,830	*8,470	8,000	*7,540	6,500	*6,530	5,360	*5,000	4,430	*3,200	*3,200	*1,790	*1,790	(56.7)		
0.0m kg		*1,270	*1,270	*3,050	*3,050	*7,210	7,130	*6,190	5,360	*5,000	4,210	*4,230	3,390	*3,710	2,780	*3,340	2,300	*2,500	1,920	*1,480	*1,480	*870	*870	17.16	
0.0ft lb		*2,800	*2,800	*6,720	*6,720	*15,900	15,720	*13,650	11,820	*11,020	9,280	*9,330	7,470	*8,180	6,130	*7,360	5,070	*5,510	4,230	*3,260	*3,260	*1,920	*1,920	(56.3)	
-1.5m kg	*1,320	*1,320	*1,820	*1,820	*3,130	*3,130	*5,930	*5,930	*6,800	5,000	*5,460	3,940	*4,580	3,190	*3,980	2,630	*3,540	2,200	*2,680	1,840	*1,380	*1,380	*950	*950	16.90
-4.9ft lb	*2,910	*2,910	*4,010	*4,010	*6,900	*6,900	*13,070	*13,070	*14,990	11,020	*12,040	8,690	*10,100	7,030	*8,770	5,800	*7,800	4,850	*5,910	4,060	*3,040	*3,040	*2,090	*2,090	(55.5)
-3.0m kg	*1,960	*1,960	*2,450	*2,450	*3,590	*3,590	*5,880	*5,880	*7,230	4,760	*5,820	3,750	*4,870	3,040	*4,200	2,520	3,590	2,110	*2,700	1,790	*1,070	*1,070	*1,050	*1,050	16.51
-9.8ft lb	*4,320	*4,320	*5,400	*5,400	*7,910	*7,910	*12,960	*12,960	*15,940	10,490	*12,830	8,270	*10,740	6,700	*9,260	5,560	7,910	4,650	*5,950	3,950	*2,360	*2,360	*2,310	*2,310	(54.2)
-4.5m kg	*2,620	*2,620	*3,140	*3,140	*4,230	*4,230	*6,350	6,280	*7,490	4,630	*6,060	3,630	5,000	2,940	4,160	2,440	3,530	2,060	*2,460	1,760			*1,200	*1,200	15.96
-14.8ft lb	*5,780	*5,780	*6,920	*6,920	*9,330	*9,330	*14,000	13,850	*16,510	10,210	*13,360	8,000	11,020	6,480	9,170	5,380	7,780	4,540	*5,420	3,880			*2,650	*2,650	(52.4)
-6.0m kg	*3,310	*3,310	*3,900	*3,900	*5,040	*5,040	*7,170	6,270	*7,590	4,590	6,130	3,570	4,950	2,890	4,120	2,410	3,510	2,040	*1,790	1,760			*1,400	*1,400	15.25
-19.7ft lb	*7,300	*7,300	*8,600	*8,600	*11,110	*11,110	*15,810	13,820	*16,730	10,120	13,510	7,870	10,910	6,370	9,080	5,310	7,740	4,500	*3,950	3,880			*3,090	*3,090	(50.0)
-7.5m kg	*4,060	*4,060	*4,760	*4,760	*6,010	*6,010	*8,340	6,350	*7,510	4,610	6,130	3,580	4,950	2,900	4,130	2,410	*3,340	2,060					*1,690	*1,690	14.34
-24.6ft lb	*8,950	*8,950	*10,490	*10,490	*13,250	*13,250	*18,390	14,000	*16,560	10,160	13,510	7,890	10,910	6,390	9,110	5,310	*7,360	4,540					*3,730	*3,730	(47.0)
-9.0m kg	*4,900	*4,900	*5,740	*5,740	*7,210	*7,210	*9,080	6,500	*7,240	4,710	*5,960	3,650	*5,000	2,950	4,190	2,480							*2,150	*2,150	13.20
-29.5ft lb	*10,800	*10,800	*12,650	*12,650	*15,900	*15,900	*20,020	14,330	*15,960	10,380	*13,140	8,050	*11,020	6,500	9,240	5,470							*4,740	*4,740	(43.3)
-10.5m kg	*5,840	*5,840	*6,910	*6,910	*8,770	*8,770	*8,360	6,740	*6,720	4,880	*5,540	3,780	*4,600	3,080									*3,010	2,680	11.75
-34.4ft lb	*12,870	*12,870	*15,230	*15,230	*19,330	*19,330	*18,430	14,860	*14,820	10,760	*12,210	8,330	*10,140	6,790									*6,640	5,910	(38.6)
-12.0m kg			*8,380	*8,380	*9,270	*9,270	*7,220	7,080	*5,810	5,140	*4,710	4,020											*4,130	3,580	9.86
-39.4ft lb			*18,470	*18,470	*20,440	*20,440	*15,920	15,610	*12,810	11,330	*10,380	8,860											*9,110	7,890	(32.4)

NOTES:

- Lifting capacities are based on ISO 10567.
- Lifting capacity of the HX Series does not exceed 75% of tipping load with the machine on firm, level ground or 87% of full hydraulic capacity.
- The Lift-point is bucket pivot mounting pin on the arm (without bucket mass).
- (*) indicates load limited by hydraulic capacity.

HYDRAULIC SYSTEM		STD	OPT
Intelligent Power Control (IPC) ^{Upgrade}			
3-Power Mode, 2-Work Mode, User Mode	●		
Variable Power Control	●		
Pump Flow Control	●		
Attachment Mode Flow Control			●
Engine Auto Idle	●		
Engine Auto Shutdown Control	●		
Electronic Fan Control	●		
CAB & INTERIOR		STD	OPT
ISO Standard Cabin			
Rise-Up Type Windshield Wiper	●		
Radio / USB Player	●		
Handsfree Mobile Phone System with USB	●		
12 V Power Outlet (24 V DC to 12 V DC Converter)	●		
Electric Horn	●		
All-Weather Steel Cab with 360° Visibility	●		
Safety glass - Tempered glass	●		
Safety glass - Tempered glass with front laminated glass			●
Sliding Fold-In Front Window	●		
Sliding Side Window (LH)	●		
Lockable Door	●		
Hot & Cool Box	●		
Storage Compartment & Ashtray	●		
Transparent Cabin Roof-Cover	●		
Sun Visor	●		
Door and Cab Locks, One Key	●		
Mechanical Suspension Seat With Heater	●		
Pilot-Operated Slidable Joystick	●		
Console Box Height Adjust System	●		
Automatic Climate Control			
Air Conditioner & Heater	●		
Defroster	●		
Starting Aid (Air Grid Heater) for Cold Weather	●		
Centralized Monitoring			
8" LCD Display	●		
Engine Speed or Trip Meter / Accel	●		
Engine Coolant Temperature Gauge	●		
Max Power	●		
Low Speed / High Speed	●		
Auto Idle	●		
Overload warning with alarm			●
Check Engine	●		
Air Cleaner Clogging	●		
Indicators	●		
Eco Gauges	●		
Fuel Level Gauge	●		
Hyd. Oil Temperature Gauge	●		
Fuel Warmer	●		
Warnings	●		
Communication Error	●		
Low Battery	●		
Clock	●		
Cabin Lights	●		
Cabin Front Window Rain Guard			●
Cabin Roof-Steel Cover			●
Seat			
Mechanical Suspension with Heater	●		
Cabin FOG (ISO 1,0262) Level 2			
FOG (Falling Object Guard)	Front & Tops Guard		●
	Top Guard		●
Cabin ROPS (ISO 1,2117-2)			
ROPS (Roll Over Protective Structures)			●

SAFETY		STD	OPT
Battery Master Switch			
		●	
Rearview Camera			
			●
AAVM (Advanced Around View Monitoring)			
			●
Six Front Working Lights (4 Boom Mounted, 2 Front Frame Mounted)			
		●	
Travel Alarm			
			●
Rear Work Lamp			
			●
Beacon Lamp			
			●
Automatic Swing Brake			
		●	
Boom Holding System			
		●	
Arm Holding System			
		●	
Safety Lock Valve for Boom Cylinder with Overload Warning Device			
			●
Safety Lock Valve for Arm Cylinder			
			●
Swing Lock System			
			●
Two Outside Rearview Mirror			
		●	

OTHER		STD	OPT
Booms			
10.2 m, 33' 6" Long Reach		●	
Arms			
7.85 m, 25' 9" Long Reach		●	
Removable Clean-Out Dust Net for Cooler		●	
Removable Washer Tank		●	
Fuel Pre-Filter		●	
Fuel Warmer	Single Dual	●	●
Self-Diagnostics System		●	
Hi MATE (Remote Management System)			●
Batteries (2 × 12 V × 150 AH)		●	
Fuel Filler Pump (50 l/min)			●
Single-Acting Piping Kit (Breaker, etc.)			●
Double-Acting Piping Kit (Clamshell, etc.)			●
Rotating Piping Kit			●
Quick Coupler Piping			●
Quick Coupler			●
Boom Floating Control			●
One Pedal Straight Travel System			●
Accumulator for Lowering Work Equipment		●	
Pattern Change Valve (2 PATterns, 4 PATterns)		●	
Tool Kit			●

UNDERCARRIAGE		STD	OPT
Lower Frame Under Cover (Additional)			
			●
Lower Frame Under Cover (Normal)			
		●	
Track Shoes			
Triple Grousers Shoe (800 mm, 32")		●	
Triple Grousers Shoe (900 mm, 36")			●
Track Rail Guard		●	
Full Track Rail Guard			●

* Standard and optional equipment may vary. Contact your Hyundai dealer for more information. The machine may vary according to International standards.
 * The photos may include attachments and optional equipment that are not available in your area.
 * Materials and specifications are subject to change without advance notice.
 * All imperial measurements rounded off to the nearest pound or inch.



www.hceamericas.com
 6100 Atlantic Blvd., Norcross, GA 30071
 TEL (678) 823-7777 FAX (678) 823-7778

Printed in U.S.A.

1106-EX-SP 6/2021v4

PLEASE CONTACT