

HITACHI

CONSTRUCTION HYDRAULIC EXCAVATOR

ZX890LC-7H

Reliable Solutions



Gross Power : 512 HP (382 kW)
Operating Weight : 189,157 lbs (85,800 kg)
Max Dig Reach : 48 ft 11 in (14.9 m)
Max Dig Depth : 31 ft 5 in (9.57 m)
Model Code : ZX890LC-7H

ZAXIS890

A Legacy of Confidence

Known worldwide, Hitachi Construction Machinery has helped generations of builders, doers, and earth-movers accomplish their goals. Hitachi Construction Machinery Americas is the source for all U.S. and Latin American operations hoping to improve productivity and reduce costs — all while building our shared future.

Pioneering Progress Together

From dedicated Rental and Used machines business to servicing, parts sales, and remote diagnostic support, Hitachi Construction Machinery Americas has the know-how and desire to establish productive working partnerships across the region. A network of independent, local dealers providing sales and service support are at the ready, waiting to begin work on the next phase of your legacy.



Welcome to

Hitachi Construction

Endless Ambition

All of our machines have been built at state-of-the-art Hitachi Construction Machinery production facilities in Japan, after incorporating the unique needs of our North American customers. Designed for the toughest terrains, harshest environments and most intricate projects, we believe there is no job that couldn't make use of our machine.

Unwavering Dependability

Our dedication to reliability parallels our commitment for your comfort. Safety is non-negotiable; our machines adhere to the highest standards, ensuring your team's well-being. Count on Hitachi Construction Machinery Americas for peace of mind to ensure every team member returns home safely after a hard day's work.



Machinery Americas



POWER on Command

Hitachi Construction Machinery Americas is proud to introduce ZAXIS-7, the next evolution of excavators that proudly wear our name.

At job sites across the world, our partners depend on the latest Hitachi Construction Machinery Americas equipment for increased productivity, improved operator comfort, efficient maintenance needs and innovative safety features proven to keep workers safe.

This brochure is a guide for day-to-day operators as well as fleet owners of this equipment who are hoping to save time, money, to dream big — and build bigger.

Building on decades of quality engineering, Hitachi Construction Machinery Americas presents the ZAXIS-7 lineup, featuring the ZX890LC-7H excavator.





TABLE OF CONTENTS

02 Who We Are



04 Introduction

06 Machine Highlights

08 Performance

10 Applications

12 Inside the Cab

14 Service & Maintenance

16 Safety

18 Specifications

Rugged **PERFORMER**

Big jobs? Meet the ZX890LC-7H: better productivity, lower operating costs, and supreme operator comfort measured in years, not shifts.

Major systems have been overhauled with next-generation hydraulics, maximizing the number of compatible attachments, ease of coupling, and fuel efficiency — for lower Total Cost of Ownership (TCO).

When using heavy attachments, ZX890LC-7H operators have a number of tools at their disposal, including Tilt Control, Attachment / Arm Tuning Control, Hydraulic Quick Couplers, and several other specialized heavy-duty features.

With intuitive controls at the ready, operators can trust the ZX890LC-7H for sustained performance and peak productivity.

Improved Design Concept

Accomplish a wide variety of jobs with a powerful ZAXIS-7 series platform, using a range of attachments for adapting to the conditions.



Next Generation Technology

Integrated 8" anti-glare LCD monitor controls all major functions, including a 270° AERIAL ANGLE camera system, ECO Mode, and more.

Powerful Engine & Hydraulics

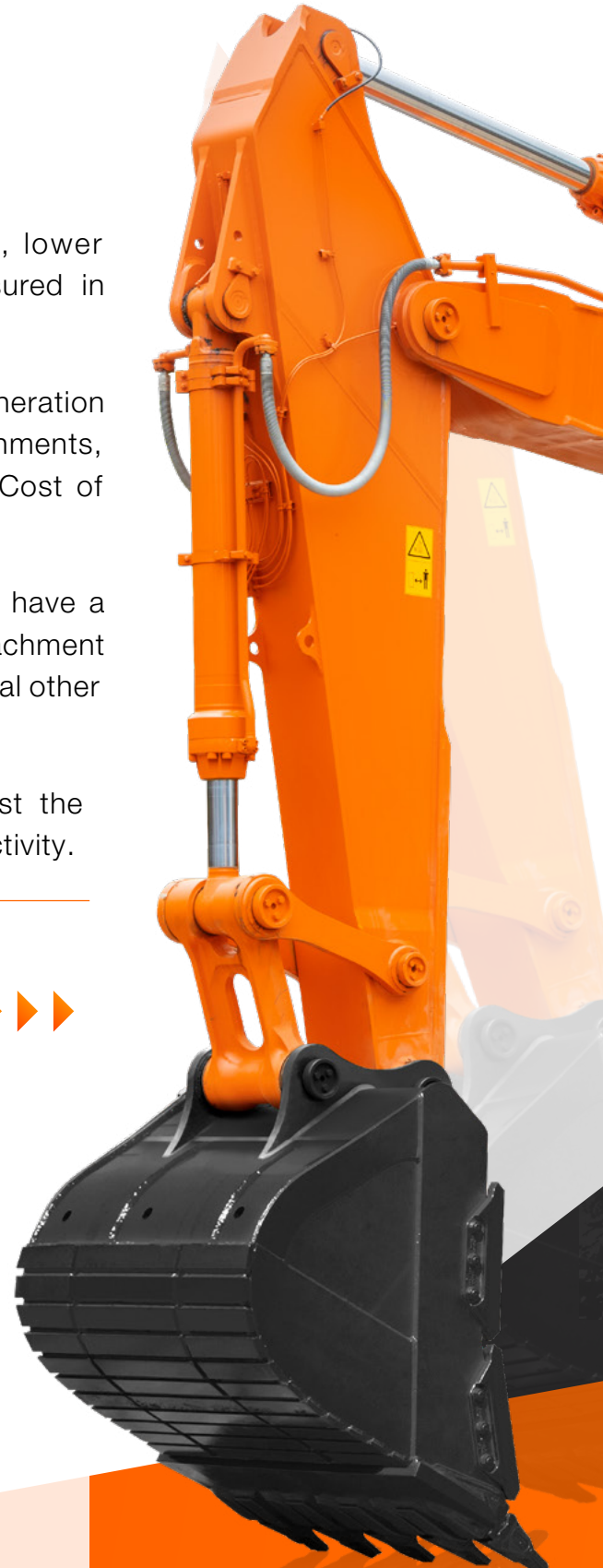
Proven Isuzu 6WG1 diesel engine with up to 1,431 lbf of torque; modern HIOS V hydraulics.

Increased Durability

Stout undercarriage with integrated X-Frame and enhanced track protection.

Quality Materials

From non-slip exterior surfaces to more durable interior materials, the ZX890LC-7H is made to last.





First-Class Cab Comfort

Maximum cab space, visibility of controls, and operator line-of-sight



Enhanced Productivity

Uptime is everything: lower fuel consumption and higher quality components mean less downtime and lower servicing costs.



Service & Maintenance

With ConSite Air, ConSite Oil, and field-tested maintenance routines, ZX890LC-7H is a workhorse with predictable service intervals.



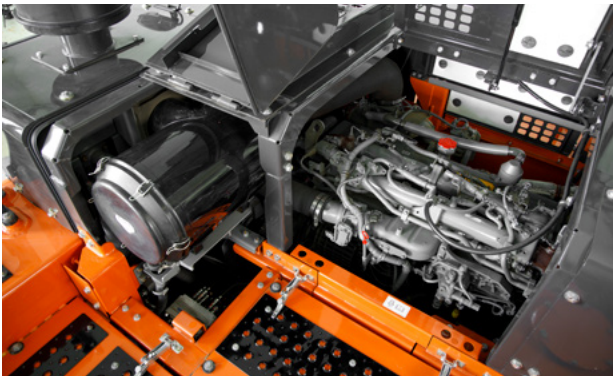
Gross Power : 512 HP (382 kW)
Operating Weight : 189,157 lbs (85,800 kg)
Max Dig Reach : 48 ft 11 in (14.9 m)
Max Dig Depth : 31 ft 5 in (9.57 m)

MORE as Standard

Accomplish bigger projects with the unparalleled torque, digging force, and precision of the ZX890LC-7H. With a proven 512 horsepower (382 kW) engine for applications as diverse as for construction, material handling, demolition, excavation, and more.

Attachment Replacement System

Change flow settings and save settings for up to 16 attachment presets, ensuring flexibility and peak productivity through multiple tasks.



Standard Work Modes

Three operator work modes (ECO, PWR, HP) best match available power to job site conditions.

Modern Emissions Controls

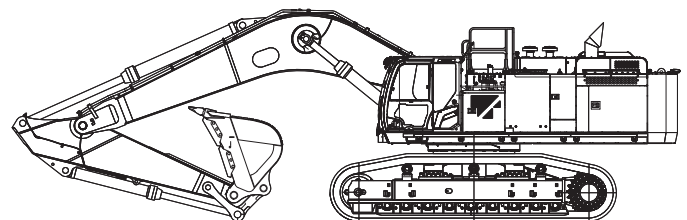
Durable diesel oxidation catalyst (DOC) and selective catalytic reduction (SCR) aftertreatment solution to protect the environment while preventing downtime.

Smart Engine Management

Isuzu Tier 4 Final Engine with built-in modes like an auto idle system with auto shutdown control to enhance fuel efficiency.

Precise Operator Control

Settings monitor allows operators to tailor attachment and arm speed for a range of jobs, from heavy digging to truck loading.



ULTIMATE POWERHOUSE



**IMPROVED
PRODUCTIVITY**
and lower total
cost of ownership

Excavator



“ The ZX890LC-7H gives you the performance of a mining excavator but the controllability, responsiveness, and versatility of a mid-size excavator – **putting the operator completely in control of the job site.** ”



Tad Salisbury
Attachments Product Manager
Hitachi Construction Machinery Americas



Staying **POWER**

Rugged from day one, the ZX890LC-7H prioritizes digging power, operator comfort, and lower fuel consumption. Excellent for construction, road & infrastructure improvements, and so much more. Fine attachment control with presets allows this excavator to adapt as required; do more with one machine.





1

2

3

4

5

6

7

8

9

10

16

15

13

14

12

11



COMFORT Lives Here

See and be seen: a larger interior with less vibration, more head clearance and less noise, and one-touch adjustable air suspension seat synchronized to move with the console. Pressurized to reduce dust and contaminant ingress. Cab is ROPS and FOPS certified.

- 1 Increased sweeping area of parallel link wiper** enhances visibility in difficult working conditions.
- 2 Air conditioning and audio** are easily controlled via the monitor.
- 3 Low-reflective color 8" LCD monitor** is easy to view and navigate.
- 4 USB socket and smartphone holder** helps you stay connected.
- 5 Cup holder** is easy to detach for cleaning.
- 6 Additional joystick controls** for effortless operation.
- 7 Ergonomic design** gives you convenient access to controls.
- 8 Bluetooth®** for hands-free calls.
- 9 Multifunctional control panel** makes operation easier.
- 10 Improved sound isolation** makes this one of the quietest cabs in the market.
- 11 Convenient storage space** keeps your workspace tidy and clutter-free.
- 12 Coat hooks** take care of your personal belongings.
- 13 One-touch adjustment lever for console** so you can work comfortably in the optimum position.
- 14 Integrated console and seat suspension** gives a greater sense of control and helps to reduce fatigue.
- 15 Increased legroom** creates a more spacious cab.
- 16 Optimal pedal layout** helps to reduce fatigue.



SERVICE That Sticks

Protect your investment with proactive support services. Maintaining a robust distribution network to support customers' uptime is core to our business — and yours. Your dealer and your support team are dedicated to maintaining your uptime. Ask about how ConSite Oil and ConSite Air technology further increases uptime — a Hitachi Construction Machinery exclusive.

ConSite
Consolidated Solution for Construction Sites



NO HASSLE Maintenance

From up-to-the-second remote management with ConSite to the leading Hitachi Construction Machinery Americas Certified Remanufactured Components program, maintenance support is second-to-none. Identify problems before they start and supercharge productivity with our behind-the-scenes data platform that allows for remote fleet diagnostic access.



360° SAFETY

Work with confidence anywhere. Innovative, standard safety features are core to maintaining an incident-free jobsite. Standard AERIAL ANGLE camera system and a suite of operator tools ensures safer operation in all conditions.

AERIAL ANGLE Cameras

Peripheral vision camera system provides a wide 270-degree bird's-eye view of the machine's immediate environment.

Unmatched Visibility

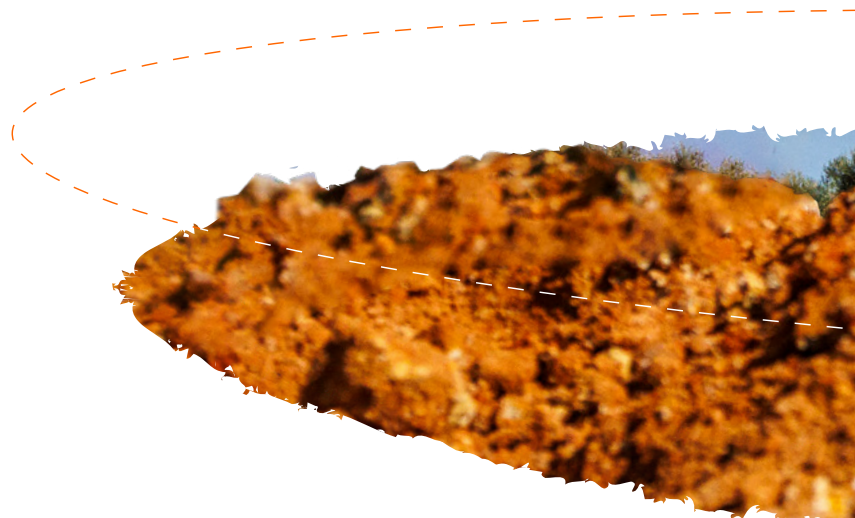
See and be seen: LED work lights, large reflective strips, improved windshield wiper and roller sunshades ensure visibility in all conditions.

Multi-Angle Camera Display

With left, rear, and right side cameras and six different viewing positions from inside the cab display, operators can see clearly in all directions.

OPG Level II Guard

Optional OPG Level II cab guard (ISO 10262 : 1998) provides tremendous operator protection for use in quarries, demolition, and extreme environments.





SPECIFICATIONS

ZX890LC-7H

ENGINE	
Model	Isuzu 6WG1
Type	4-cycle water-cooled, common rail direct injection
Aspiration	Variable geometry turbocharged, intercooled, cooled EGR
Aftertreatment	DOC + SCR system
No. of cylinders	6
Rated power	
ISO 14396: 2002 gross	512 HP (382 kW) at 1,800 min ⁻¹
ISO 9249: 2007 net	510 HP (380 kW) at 1,800 min ⁻¹
Maximum torque	1 623 lbf (2,200 Nm) at 1,450 min ⁻¹
Piston displacement	956.917 cu .in. (15.681 L)
Bore and stroke	5.8" x 6.1" (147 mm x 154 mm)
Batteries	2 x 12 V / 147 Ah

HYDRAULIC SYSTEM			
Hydraulic Pumps			
Main pumps	2 variable displacement axial piston pumps		
Maximum oil flow	2 x 147 gal/min (556 L/min)		
Pilot pump	1 gear pump		
Maximum oil flow	13.2 gal/min (50.0 L/min)		
Hydraulic Motors			
Travel	Variable displacement axial piston motors (2)		
Swing	Axial piston motors (2)		
Relief Valve Settings			
Implement circuit	4,626.7 psi (31.9 MPa)		
Swing circuit	4,119.1 psi (28.4 MPa)		
Travel circuit	4,974.8 psi (34.3 MPa)		
Pilot circuit	565.6 psi (3.9 MPa)		
Power boost	4,974.8 psi (34.3 MPa)		
Hydraulic Cylinders			
	Quantity	Bore	Rod diameter
Boom	2	8.5" (215 mm)	5.9" (150 mm)
Arm	1	8.8" (225 mm)	6.3" (160 mm)
Bucket	1	7.9" (200 mm)	5.5" (140 mm)

UPPERSTRUCTURE	
Revolving Frame	
D-section frame for resistance to deformation.	
Swing Device	
Axial piston motor with planetary reduction gear is bathed in oil. Swing parking brake is spring-set/hydraulic-released disc type.	
Swing speed	7.8 min ⁻¹
Swing torque	196,928 lbf (267.0 kNm)

UNDERCARRIAGE	
Tracks	
Track shoes with triple grousers made of induction-hardened rolled alloy. Heat-treated connecting pins with dirt seals. Hydraulic (grease) track adjusters with shock-absorbing recoil springs.	
Numbers of Rollers and Shoes on Each Side	
Upper rollers	3
Lower rollers	9
Track shoes	51
Track guards	2
Travel Device	
Each track driven by axial piston motor through reduction gear for counterrotation of the tracks. Parking brake is spring-set/hydraulic-released disc type. Automatic transmission system: High-Low.	
Travel speeds	High: 0 to 2.9 mph (0 to 4.7 km/h) Low: 0 to 2.0 mph (0 to 3.2 km/h)
Maximum traction force	125,893 lbf (560 kN)
Gradeability	70% (35°) continuous

SERVICE REFILL CAPACITIES	
Fuel tank	293.0 gal (1,110.0 L)
Engine coolant	35.9 gal (136.0 L)
Engine oil	16.4 gal (62.0 L)
Pump drive	1.6 gal (6.2 L)
Swing device (each side)	4.1 gal (15.7 L)
Travel device (each side)	5.1 gal (19.0 L)
Hydraulic system	275.1 gal (1,042.0 L)
Hydraulic oil tank	132.0 gal (500.0 L)
DEF/AdBlue® tank	25.1 gal (95.0 L)

ENVIRONMENT	
Engine Emissions	EPA Final Tier 4 / EU Stage IV
Sounds Level	
Sound level in cab according to ISO 6396: 2008	LpA 74 dB(A)
External sound level according to ISO 6395: 2008 and EU Directive 2000/14/EC	LwA 108 dB(A)

WEIGHTS AND GROUND PRESSURE

ZX890LC-7H

Bucket Capacity	Boom type	Arm type	Shoe grouser type	Shoe width	Operating weight	Ground pressure
ISO7451: 2007 heaped, yd ³ (m ³)	ft-in (m)	ft-in (m)		in (mm)	lb (kg)	psi (kPa)
4.6 (3.5) Rock bucket	27' 7" (8.4) H	12' 2" (3.7)	Double	35" (900)	188,936 (85,700)	12.2 (84)
		14' 5" (4.4)	Double	35" (900)	189,157 (85,800)	12.2 (84)

BUCKET AND ARM DIGGING FORCE

Unit: lbf (kN)

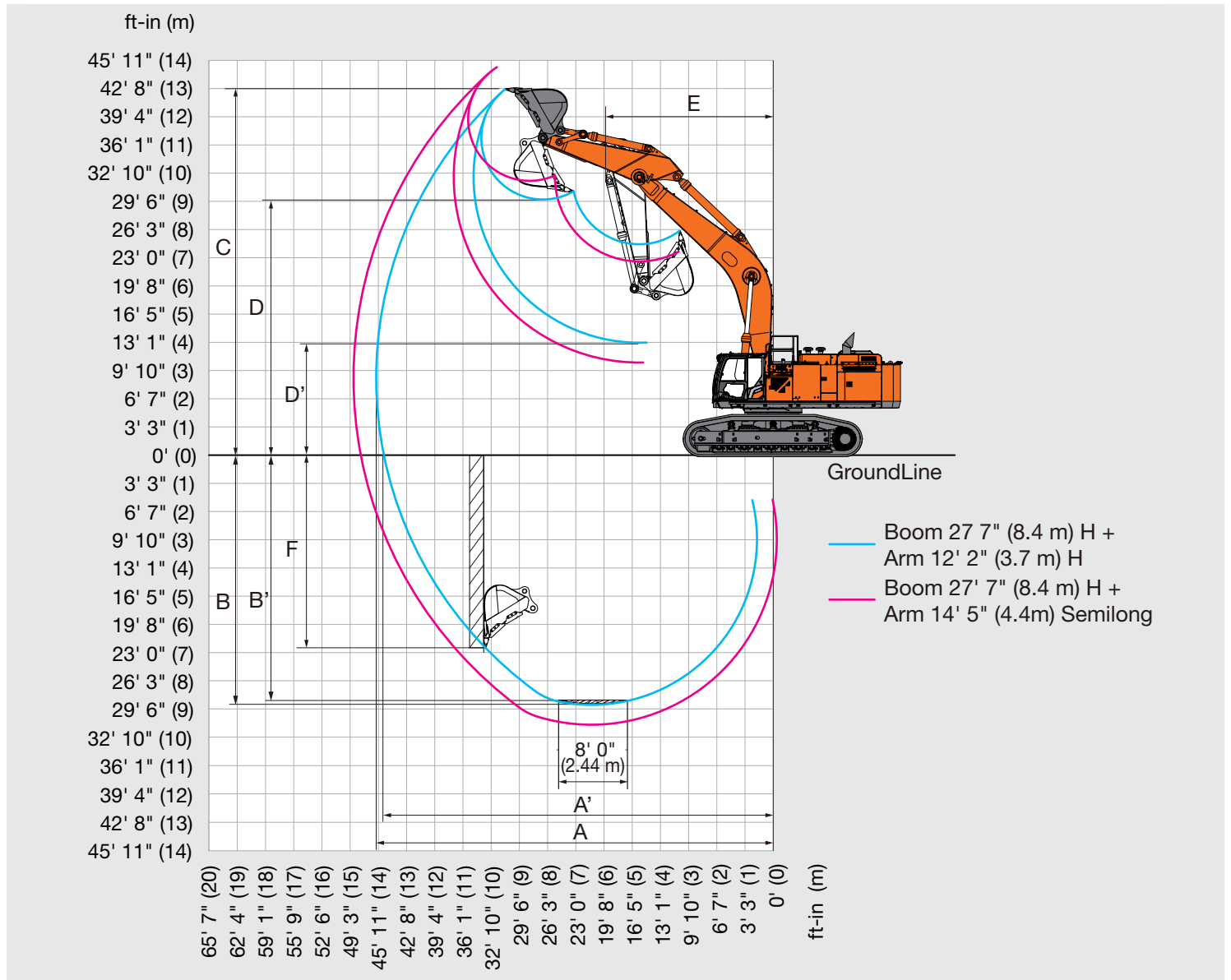
	ZX890LC-7H	
	Boom 27' 7" (8.4 m) H	Boom 27' 7" (8.4 m) H
Boom length		
Arm length	Arm 12' 2" (3.7 m) H	Arm 14' 5" (4.4 m) Semilong
Bucket digging force* ISO 6015: 2006	90,373 (402)	89,699 (399)
Arm crowd force* ISO 6015: 2006	72,838 (324)	62,947 (280)

* At power boost

SPECIFICATIONS

ZX890LC-7H

WORKING RANGES

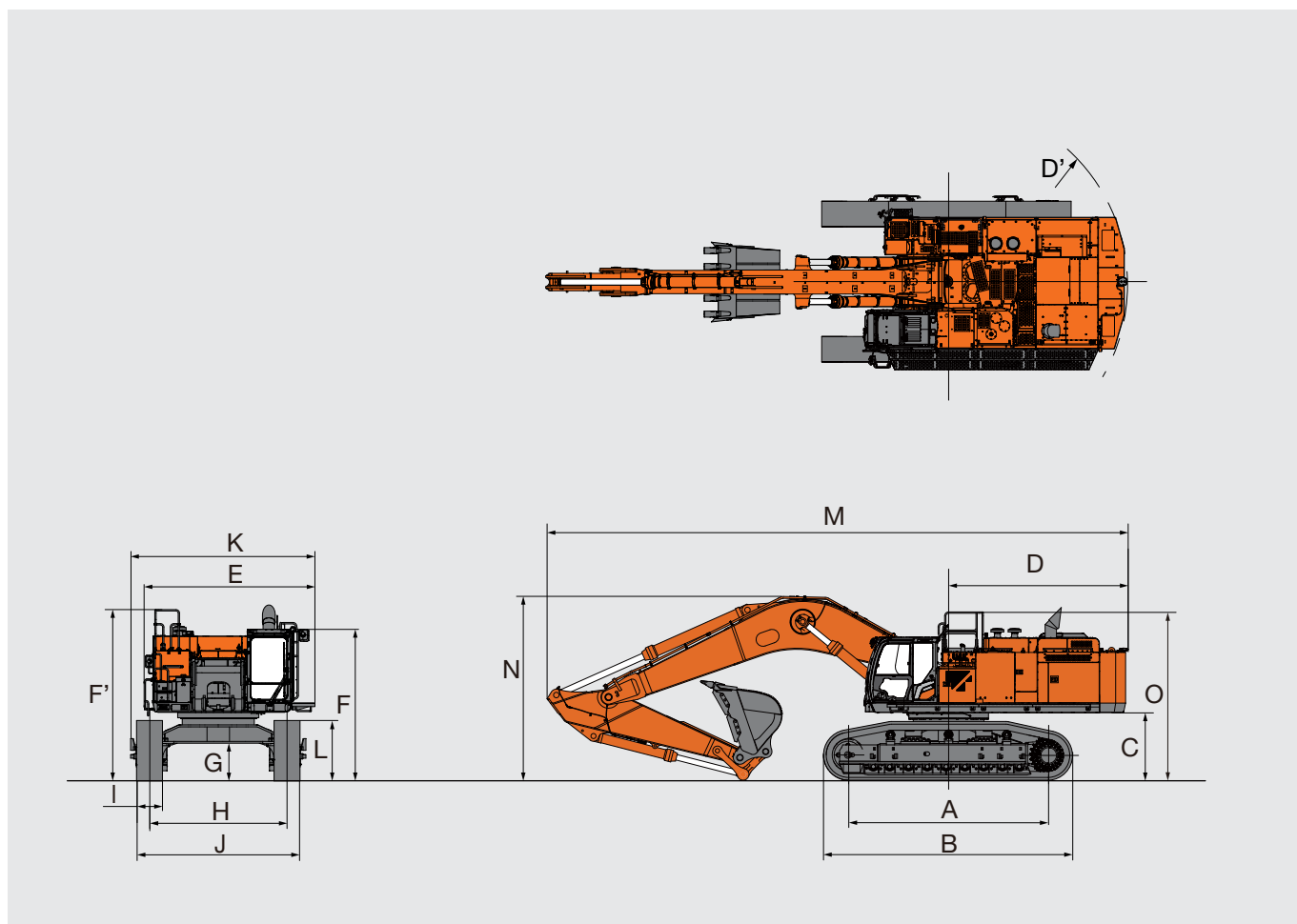


Unit: ft-in (mm)

	ZX890LC-7H	
Boom length	Boom 27' 7" (8.4 m) H	Boom 27' 7" (8.4 m) H
Arm length	Arm 12' 2" (3.7 m) H	Arm 14' 5" (4.4 m) Semilong
A Max. digging reach	46' 3" (14,100)	48' 11" (14,900)
A' Max. digging reach (on ground)	45' 4" (13,820)	48' 0" (14,640)
B Max. digging depth	29' 1" (8,870)	31' 5" (9,570)
B' Max. digging depth for 8' 0" (2.44 m) level	28' 8" (8,740)	31' 0" (9,450)
C Max. cutting height	42' 8" (13,000)	45' 3" (13,790)
D Max. dumping height	29' 9" (9,080)	32' 0" (9,750)
D' Min. dumping height	13' 1" (3,990)	10' 10" (3,300)
E Min. swing radius	19' 6" (5,950)	19' 6" (5,940)
F Max. vertical wall digging depth	22' 5" (6,840)	26' 9" (8,160)

Excluding track shoe lug

DIMENSIONS



Unit: ft-in (mm)

	ZX890LC-7H ^{1,2}
A Distance between tumblers	16' 9" (5,110)
B Undercarriage length	20' 10" (6,360)
¹ C Counterweight clearance	5' 6" (1,680)
D Rear-end swing radius	15' 1" (4,600)
D' Rear-end length	15' 1" (4,590)
E Overall width of upperstructure	13' 6" (4,120)
F Overall height of cab	12' 1" (3,690)
¹ G Min. ground clearance	2' 11" (890)
H Track gauge: Extended / Retracted	11' 4" (3,450) / 9' 3" (2,830)
I Track shoe width	G 2' 11" (900)
J Undercarriage width: Extended / Retracted	14' 3" (4,350) / 12' 3" (3,730)
K Overall width	14' 7" (4,450)
¹ L Track height with triple grouser shoes	4' 11" (1,500)
M Overall length	48' 11" (14,900)
N Overall height of boom	16' 10" (5,130)
O Overall height of base machine	14' 6" (4,410)

¹ Excluding track shoe lug² Equipped with Boom 27' 7" (8.4 m) H and Arm 14' 5" (4.4 m) Semilong

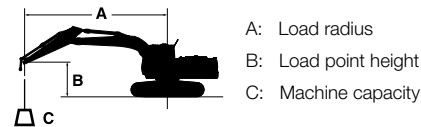
G: Double grouser shoe

Hitachi Construction Machinery Americas reserves the right to change specifications at any time without prior notification. © 2024 All Rights Reserved

MACHINE CAPACITIES

ZX890LC-7H

- Notes:
1. Ratings are based on ISO 10567: 2007.
 2. Machine capacity does not exceed 75% of tipping load with the machine on firm, level ground or 87% full hydraulic capacity.
 3. The load point is the center-line of the bucket pivot mounting pin on the arm.
 4. * Indicates load limited by hydraulic capacity.
 5. 0 ft (0 m) = Ground.
 6. Machine specifications are determined excluding the bucket.



For machine capacities, subtract installed attachment and quick hitch weight from machine capacities. To determine lifting capacities, apply "Rating over-side or 360 degrees" machine capacities from the table and deduct weight of installed attachment and quick hitch. Optional feature may affect machine performance.

ZX890LC-7H

Rating over-front Rating over-side or 360 degrees Unit: lb (kg)

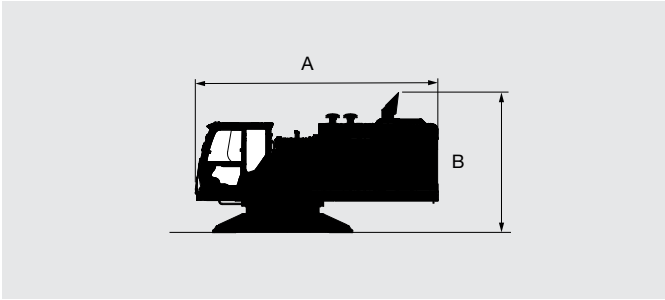
Conditions	Load point height ft (m)	Load radius														At max. reach		
		10 ft (3.0 m)		15 ft (4.5 m)		20 ft (6.0 m)		25 ft (7.5 m)		30 ft (9.0 m)		35 ft (10.5 m)		40 ft (12 m)		ft-in (meter)		
Boom 27' 7" (8.4 m) H Arm 12' 2" (3.7 m) H Counter-weight 29,321 lb (13,300 kg)	30' (9.0)									40,700* (18,420)*	40,700* (18,420)*					29,200* (13,210)*	29,200* (13,210)*	33' 1" (10.08)
	25' (7.5)									42,400* (19,200)*	42,000 (19,020)	36,700* (16,620)*	32,500 (14,730)			28,800* (13,040)*	28,800* (13,040)*	35' 9" (10.89)
	20' (6.0)					62,400* (28,280)*	62,400* (28,280)*	51,600* (23,390)*	51,600* (23,390)*	45,500* (20,610)*	40,700 (18,450)	41,800* (18,940)*	31,900 (14,450)			29,100* (13,170)*	27,600 (12,500)	37' 7" (11.45)
	15' (4.5)					74,400* (33,720)*	70,800 (32,110)	58,100* (26,320)*	51,200 (23,220)	49,200* (22,310)*	39,200 (17,770)	43,900* (19,870)*	31,100 (14,080)			30,000* (13,590)*	25,900 (11,710)	38' 8" (11.78)
	10' (3.0)					84,200* (38,160)*	66,600 (30,200)	64,000* (29,020)*	48,800 (22,120)	52,900* (23,970)*	37,800 (17,110)	44,100 (19,960)	30,200 (13,680)			31,600* (14,310)*	24,900 (11,290)	39' 1" (11.91)
	5' (1.5)					68,400* (31,000)*	64,300 (29,130)	68,300* (30,940)*	47,000 (21,310)	54,300 (24,610)	36,600 (16,560)	43,200 (19,580)	29,400 (13,330)			34,000* (15,410)*	24,700 (11,200)	38' 10" (11.84)
	0 (Ground)					78,300* (35,490)*	63,300 (28,700)	70,200* (31,820)*	45,900 (20,810)	53,400 (24,190)	35,700 (16,180)	42,600 (19,310)	28,900 (13,090)			37,000 (16,780)	25,200 (11,430)	38' 0" (11.58)
	-5' (-1.5)			51,700* (23,450)*	51,700* (23,450)*	87,500* (39,660)*	63,100 (28,620)	69,800* (31,630)*	45,500 (20,610)	52,900 (23,980)	35,300 (16,000)	42,400 (19,200)	28,700 (12,980)			39,200 (17,770)	26,700 (12,070)	36' 5" (11.10)
	-10' (-3.0)	56,800* (25,720)*	56,800* (25,720)*	79,500* (36,040)*	79,500* (36,040)*	82,600* (37,440)*	63,500 (28,800)	66,800* (30,300)*	45,600 (20,650)	53,000 (24,000)	35,300 (16,010)					43,300 (19,610)	29,300 (13,270)	34' 1" (10.38)
	-15' (-4.5)			91,700* (41,550)*	91,700* (41,550)*	74,500* (33,750)*	64,400 (29,210)	60,700* (27,500)*	46,200 (20,930)	48,800* (22,110)*	36,000 (16,290)					45,700* (20,720)*	34,200 (15,500)	30' 9" (9.36)
-20' (-6.0)			74,400* (33,720)*	74,400* (33,720)*	61,100* (27,710)*	61,100* (27,710)*	48,600* (22,010)*	47,600 (21,580)							44,600* (20,220)*	44,300 (20,050)	26' 0" (7.92)	
Boom 27' 7" (8.4 m) H Arm 14' 5" (4.4 m) Semilong Counter-weight 29,321 lb (13,300 kg)	30' (9.0)											29,300* (13,260)*	29,300* (13,260)*			22,100* (9,980)*	22,100* (9,980)*	36' 2" (11.03)
	25' (7.5)									39,200* (17,780)*	39,200* (17,780)*	35,200* (15,930)*	33,100 (15,000)			21,600* (9,760)*	21,600* (9,760)*	38' 7" (11.77)
	20' (6.0)						47,800* (21,640)*	47,800* (21,640)*	42,600* (19,310)*	41,300 (18,730)	39,400* (17,850)*	32,400 (14,660)	27,300* (12,370)*	25,800 (11,690)	21,500* (9,750)*	21,500* (9,750)	40' 4" (12.28)	
	15' (4.5)					68,300* (30,980)*	68,300* (30,980)*	54,500* (24,680)*	52,200 (23,650)	46,700* (21,140)*	39,800 (18,010)	41,800* (18,930)*	31,400 (14,220)	33,400* (15,120)*	25,400 (11,480)	21,900* (9,930)*	21,900* (9,930)*	41' 4" (12.59)
	10' (3.0)					79,400* (35,980)*	68,200 (30,890)	61,000* (27,650)*	49,500 (22,450)	50,700* (22,980)*	38,100 (17,280)	44,300* (20,070)*	30,400 (13,770)	36,000 (16,320)	24,800 (11,220)	22,700* (10,290)*	22,600 (10,220)	41' 8" (12.71)
	5' (1.5)					76,100* (34,500)*	65,000 (29,460)	66,100* (29,970)*	47,400 (21,490)	54,200* (24,540)*	36,800 (16,650)	43,300 (19,630)	29,500 (13,370)	35,500 (16,070)	24,300 (10,980)	24,000* (10,880)*	22,400 (10,130)	41' 6" (12.65)
	0 (Ground)					75,800* (34,340)*	63,400 (28,720)	69,100* (31,340)*	46,000 (20,850)	53,400 (24,200)	35,700 (16,180)	42,600 (19,280)	28,800 (13,050)	35,100 (15,880)	23,900 (10,800)	26,000* (11,750)*	22,800 (10,300)	40' 9" (12.41)
	-5' (-1.5)			45,800* (20,730)*	45,800* (20,730)*	88,800* (40,240)*	62,800 (28,450)	69,700 (31,580)	45,300 (20,520)	52,700 (23,900)	35,100 (15,910)	42,100 (19,080)	28,400 (12,870)			28,800* (13,050)*	23,800 (10,790)	39' 3" (11.96)
	-10' (-3.0)	46,100* (20,890)*	46,100* (20,890)*	66,300* (30,050)*	66,300* (30,050)*	85,400* (38,700)*	62,800 (28,480)	68,200* (30,920)*	45,100 (20,440)	52,500 (23,810)	34,900 (15,820)	42,100 (19,060)	28,400 (12,850)			33,200* (15,050)*	25,800 (11,700)	37' 1" (11.3)
	-15' (-4.5)	67,300* (30,500)*	67,300* (30,500)*	93,200* (42,260)*	93,200* (42,260)*	78,900* (35,780)*	63,500 (28,770)	63,700* (28,890)*	45,500 (20,600)	52,000* (23,570)*	35,200 (15,960)					40,500* (18,370)*	29,300 (13,290)	34' 0" (10.37)
-20' (-6.0)			85,100* (38,570)*	85,100* (38,570)*	68,200* (30,930)*	64,800 (29,360)	55,000* (24,920)*	46,500 (21,050)	42,400* (19,200)*	36,300 (16,460)					41,400* (18,750)*	35,900 (16,240)	29' 10" (9.1)	

NOTES

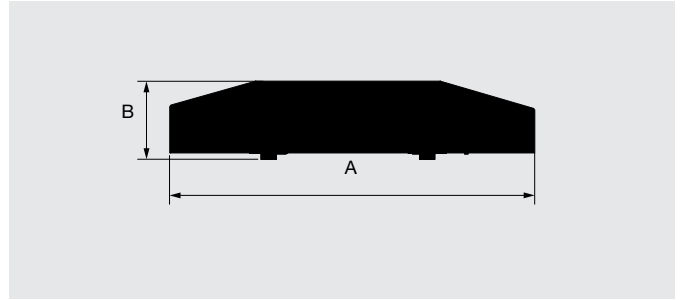
TRANSPORTATION

ZX890LC-7H

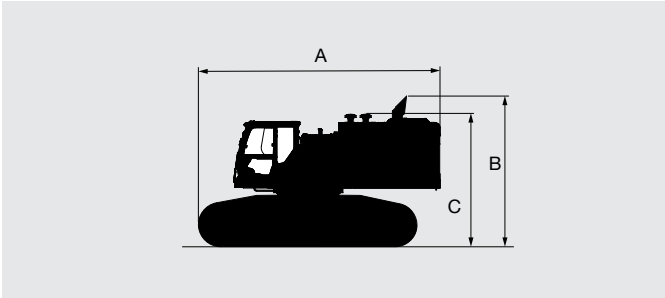
UPPERSTRUCTURE



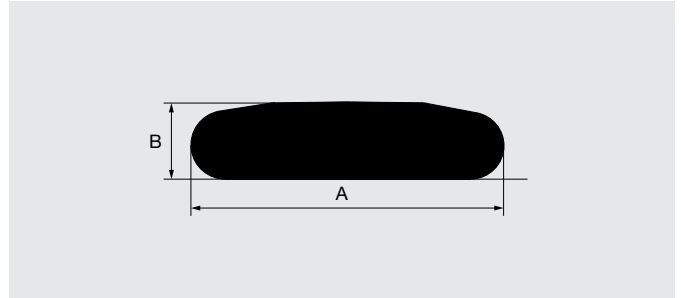
COUNTERWEIGHT



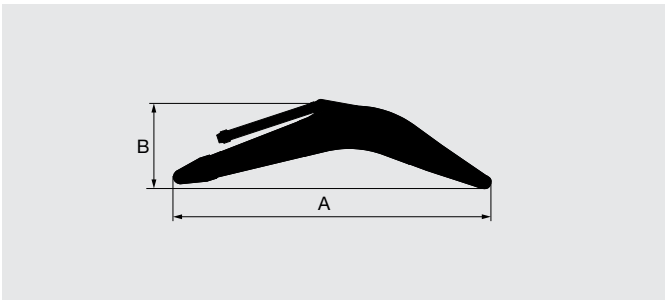
BASIC MACHINE (WITHOUT COUNTERWEIGHT)



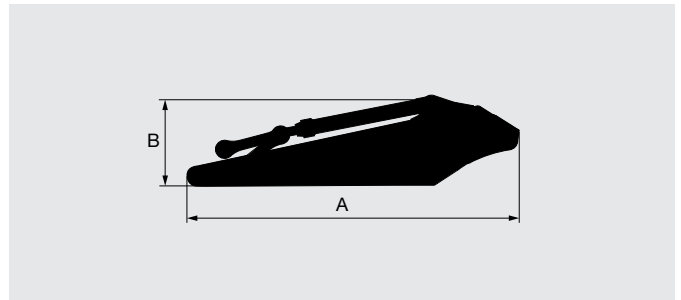
SIDE FRAME



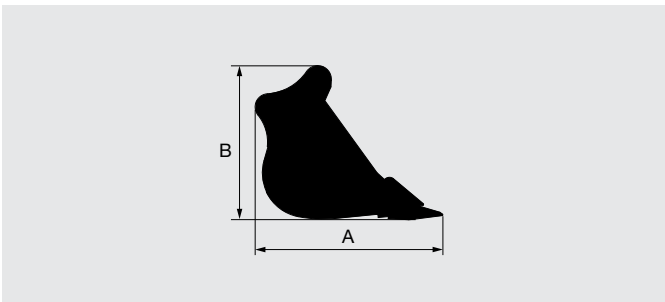
BOOM



ARM



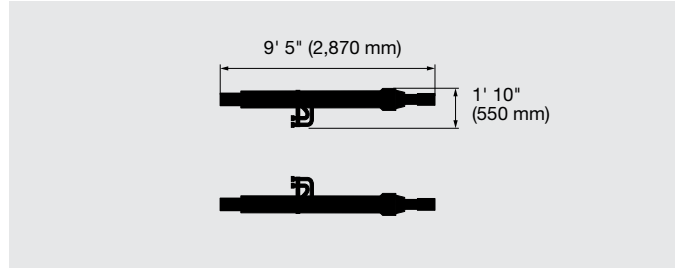
BUCKET



BOOM CYLINDERS

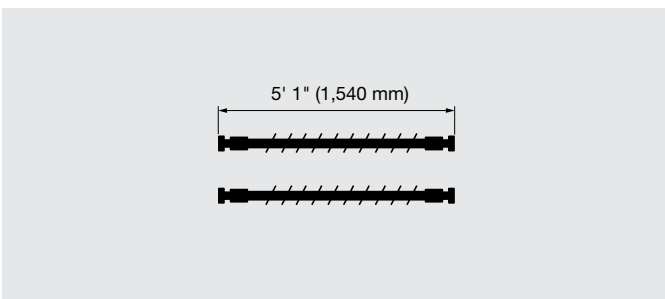
1,874 lb (850 kg) X 2

Overall height: 1' 4" (410 mm)



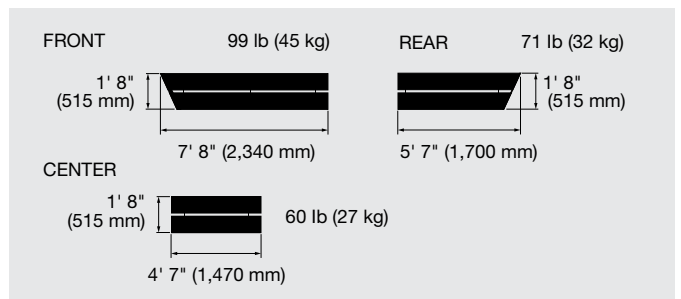
HOSE OF BOOM CYLINDERS

20 lb (9 kg) X 2 / 29 lb (13 kg) X 2



LEFT SIDEWALK

Overall height: 0' 6" (150 mm)



UPPERSTRUCTURE

A ft-in (mm)	B ft-in (mm)	Overall width ft-in (mm)	Weight lb (kg)
19' 9" (6,010)	11' 5" (3,480)	11' 3" (3,420)	61,950 (28,100)

COUNTERWEIGHT

A ft-in (mm)	B ft-in (mm)	Overall width ft-in (mm)	Weight lb (kg)
11' 0" (3,360)	2' 4" (720)	5' 6" (1,670)	29,321 (13,300) 27,337 (12,400)*

* With counterweight removal system

BASIC MACHINE (WITHOUT COUNTERWEIGHT)

Shoe width inch (mm)	A ft-in (mm)	B ft-in (mm)	C ¹ ft-in (mm)	Overall width ² ft-in (mm)	Weight lb (kg)
35" (900)	23' 3" (7,080)	14' 6" (4,410)	12' 9" (3,890)	12' 3" (3,730)	119,380 (54,150)

¹ Without exhaust funnel² Undercarriage retracted

SIDE FRAME

Shoe width inch (mm)	A ft-in (mm)	B ft-in (mm)	Overall width ft-in (mm)	Weight lb (kg)
35" (900)	20' 10" (6,360)	4' 11" (1,500)	4' 8" (1,430)	25,794 (11,700)

BOOM

Boom length ft-in (mm)	A ft-in (mm)	B ft-in (mm)	Overall width ft-in (mm)	Weight lb (kg)
27' 7" (8.4) H	28' 9" (8,760)	8' 3" (2,510)	4' 9" (1,440)	18,166 (8,240)

ARM

Arm length ft-in (mm)	A ft-in (mm)	B ft-in (mm)	Overall width ft-in (mm)	Weight lb (kg)
12' 2" (3.7) H	17' 3" (5,260)	4' 9" (1,460)	2' 8" (810)	9,899 (4,490)
14' 5" (4.4) Semilong	19' 3" (5,870)	4' 7" (1,400)	2' 8" (810)	10,238 (4,644)

BUCKET

Bucket	Capacity, yd ³ (m ³) ISO 7451: 2007 heaped	A ft-in (mm)	B ft-in (mm)	Overall width ft-in (mm)	Weight lb (kg)
Rock bucket	4.6 (3.5)	7' 5" (2,270)	6' 5" (1,960)	6' 4" (1,920)	8,356 (3,790)

EQUIPMENT

ZX890LC-7H

●: Standard equipment ○: Optional equipment

ENGINE	ZX890LC-7H
Aftertreatment device	●
Air cleaner double filters	●
Alternator 90 A	●
Auto idle system	●
Auto shut-down control	●
Cartridge-type engine oil filter	●
Cartridge-type fuel main filter	●
ConSite OIL (sensor)*	●
DEF / AdBlue® tank	●
DEF / AdBlue® tank inlet strainer and extension filler	●
Dry-type air filter with evacuator valve (with air filter restriction indicator)	●
Dust-proof net	●
ECO / PWR / HP mode control	●
Electrical fuel feed pump	●
Engine oil drain coupler	●
Expansion tank	●
Fan guard	●
Fuel cooler	●
Fuel pre-filter with water separator	●
Isolation-mounted engine	●
Maintenance free pre-cleaner	○
Radiator, oil cooler and intercooler	●
Reversible fan	●

HYDRAULIC SYSTEM	ZX890LC-7H
Auto power lift	●
AUX function lever (breaker)	○
Attachment pedal	○
Boom mode selector system	●
ConSite OIL (sensor)*	●
Control pattern changer (ISO / BH)	○
Control valve with main relief valve	●
Drain filter	●
Engine speed sensing system	●
Extra port for control valve	●
Hose rupture valve for boom/arm and overload alarm	○
Pilot filter	●
Power boost	●
Shockless valve in pilot circuit	●
Straight travel pedal	○
Suction filter	●
Variable relief valve for breaker and crusher	○
Work mode selector	●

CAB	ZX890LC-7H
All-weather sound suppressed steel cab	●
Auto control air conditioner	●
Bluetooth® integrated radio	●
Console height adjustment	●
Control lever auto-lock	●
CRES VII (center pillar reinforced structure) cab	●
Drink holder with hot and cool function	●
Electric double horn	●
Engine shut-off switch	●
Equipped with reinforced, tinted (green color) glass windows	●
Evacuation hammer	●
Floor mat	●
Fluid-filled elastic mounts (6)	●
Foot rest	●
Front window washer (2 points)	●
Glove compartment	●
Hands-free calling device	●
Hot and cool box	●
Intermittent windshield wiper	●
Key cylinder light	●
Laminated round glass front window	●
LED room light	●
Magazine rack	●
OPG front guard Level II (ISO10262: 1998) compliant	○
OPG top guard Level I (ISO10262: 1998) compliant	●
OPG top guard Level II (ISO10262: 1998) compliant	○
Pilot shut-off lever	●
Power outlet 12 V and 24 V	●
Push button low idle	●
Rain guard (without OPG front guard)	●
Rear tray	●
Retractable seat belt 3 in. (76 mm)	●
Rubber radio antenna	●
Seat: air suspension seat with heater	●
Seat adjustment part: backrest, armrest, height and angle, slide forward / back	●
Seat belt reminder	●
Short wrist control levers	●
Smartphone holder	●
Stereo speakers (2)	●
Sunscreen roller type (multi-use front or side and rear window)	●
Transparent roof with slide curtain	●
USB power supply	●
Wide view wiper	●
Windows on front, upper and lower side can be opened	●
Windows on left side can be opened	●
8" monitor	●

●: Standard equipment ○: Optional equipment

MONITOR SYSTEM	ZX890LC-7H
Alarm buzzers: overheat, engine oil pressure, overload, SCR system trouble, etc	●
Alarms: overheat, engine warning, engine oil pressure, alternator, minimum fuel level, hydraulic filter restriction, air filter restriction, work mode, overload, SCR system trouble, etc	●
Display of meters: water temperature, hour, fuel rate, clock, DEF / AdBlue® rate, etc	●
Other displays: work mode, auto-idle, glow, rear view monitor, side view monitor, operating conditions, etc	●
35 languages selection	●

LIGHTS	ZX890LC-7H
Additional boom LED light with cover	●
Additional cab roof front LED lights	●
LED lights for camera (side and rear view camera)	●
Rotating lamp	○
Working LED lights (3)	●

UPPER STRUCTURE	ZX890LC-7H
AERIAL ANGLE (side and rear view camera)	●
Batteries 2 x 147 Ah	●
Body top handrail	●
Counterweight 29,321 lbs (13,300 kg)	●
Counterweight removal system	○
Fuel level float	●
Hydraulic oil level gauge	●
Ladder	●
Lockable fuel refilling cap	●
Lockable machine covers	●
Lockable tool box	●
Platform handrail	●
Reinforced under cover	○
Side view mirror (right and left)	●
Sidewalk (cab side)	●
Skid-resistant plates and handrails	●
Swing parking brake	●
Undercover	●
2 way battery disconnect switch	●

UNDERCARRIAGE	ZX890LC-7H
Bolt-on sprocket	●
Reinforced track links with pin seals	●
Shoe: 35" (900 mm) double grouser	●
Tie down hooks (4)	●
Track guard (2 each side)	●
Track undercover	○
Travel direction mark on track frame	●
Travel motor covers	●
Travel parking brake	●
Upper and lower rollers	●

FRONT ATTACHMENTS	ZX890LC-7H
Arm 12' 2" (3.7 m) H	○
Arm 14' 5" (4.4 m) Semilong	●
Boom 27' 7" (8.4 m) H	●
Centralized lubrication system	●
Cylinder hose protectors arm	●
Cylinder hose protectors bucket	●
Damage prevention plate and square bars	●
Dirt seal on all bucket pins	●
Flanged pin	●

ATTACHMENTS	ZX890LC-7H
Auxiliary hydraulic piping	○
Pilot accumulator	●
Two pump combined flow	○

MISCELLANEOUS	ZX890LC-7H
ConSite	○
Exclusive Global e-Service telematics	●
Onboard information controller	●
Satellite communication device	○
Standard tool kit	●
Travel alarm	●

Standard and optional equipment may vary by country, so please consult your Hitachi Construction Machinery Americas authorized local dealer for details.
* Engine oil and hydraulic oil monitoring sensor.

Hitachi Construction Machinery Americas reserves the right to change specifications at any time without prior notification. © 2024 All Rights Reserved

HITACHI

Reliable Solutions



REPUTATIONS ARE **BUILT ON IT.**

A legacy built on quality products and service: this is our story. For more than 50 years, Hitachi Construction Machinery Americas has been the regional partner of Hitachi Construction Machinery Group, headquartered in Japan.

Well-respected in North America since the 1970s when Hitachi Construction Machinery Group led a prominent joint venture, Hitachi Construction Machinery Americas recently established a new facility in Newnan, GA. that is poised to support local customers for years to come.

With input from construction professionals on every continent, our machinery is manufactured at state-of-the-art facilities in Japan and exported for sale across the world.

Your local Hitachi Construction Machinery Americas dealer has the resources, expertise, and personnel to work with you, ensuring the best return on investment. Utilizing carefully designed programs and services in conjunction with extensive digital resources, Hitachi Construction Machinery Americas provides a focused approach to supporting you, your business, and the durable construction machinery that your operation relies upon.

Machines in this brochure may be representative of global products not sold in the North American market, and used for illustrative purposes only. Options may not be available in all markets. Before operating this machine (incl. satellite communication system) outside of its original country of sale, it may be necessary to make modifications to comply with local regulatory, safety, and legal requirements. Please do not export or operate this machine outside the country of its intended use until such compliance has been confirmed. Contact your dealer for more assistance with regional compliance.

