

HITACHI

CONSTRUCTION HYDRAULIC EXCAVATOR

ZX490LC-7H

Reliable Solutions



Gross Power : 389 HP (290 kW)
Operating Weight : 110,672 lbs (50,200 kg)
Max Dig Reach : 41 ft (12.49 m)
Max Dig Depth : 27 ft 2 in (8.27 m)
Model Code : ZX490LC-7H

ZAXIS490

A Legacy of Confidence

Known worldwide, Hitachi Construction Machinery has helped generations of builders, doers, and earth-movers accomplish their goals. Hitachi Construction Machinery Americas is the source for all U.S. and Latin American operations hoping to improve productivity and reduce costs — all while building our shared future.

Pioneering Progress Together

From dedicated Rental and Used machines business to servicing, parts sales, and remote diagnostic support, Hitachi Construction Machinery Americas has the know-how and desire to establish productive working partnerships across the region. A network of independent, local dealers providing sales and service support are at the ready, waiting to begin work on the next phase of your legacy.



Welcome to
Hitachi Construction

Endless Ambition

All of our machines have been built at state-of-the-art Hitachi Construction Machinery production facilities in Japan, after incorporating the unique needs of our North American customers. Designed for the toughest terrains, harshest environments and most intricate projects, we believe there is no job that couldn't make use of our machine.

Unwavering Dependability

Our dedication to reliability parallels our commitment for your comfort. Safety is non-negotiable; our machines adhere to the highest standards, ensuring your team's well-being. Count on Hitachi Construction Machinery Americas for peace of mind to ensure every team member returns home safely after a hard day's work.



Machinery Americas



Command with **QUALITY**

Hitachi Construction Machinery Americas is proud to introduce ZAXIS-7, the next evolution of excavators that proudly wear our name.

At job sites across the world, our partners depend on the latest Hitachi Construction Machinery Americas equipment for increased productivity, improved operator comfort, efficient maintenance needs and innovative safety features proven to keep workers safe.

This brochure is a guide for day-to-day operators as well as fleet owners of this equipment who are hoping to save time, money, to dream big — and build bigger.

Building on decades of quality engineering, Hitachi Construction Machinery Americas presents the ZAXIS-7 lineup, featuring the ZX490LC-7H excavator.

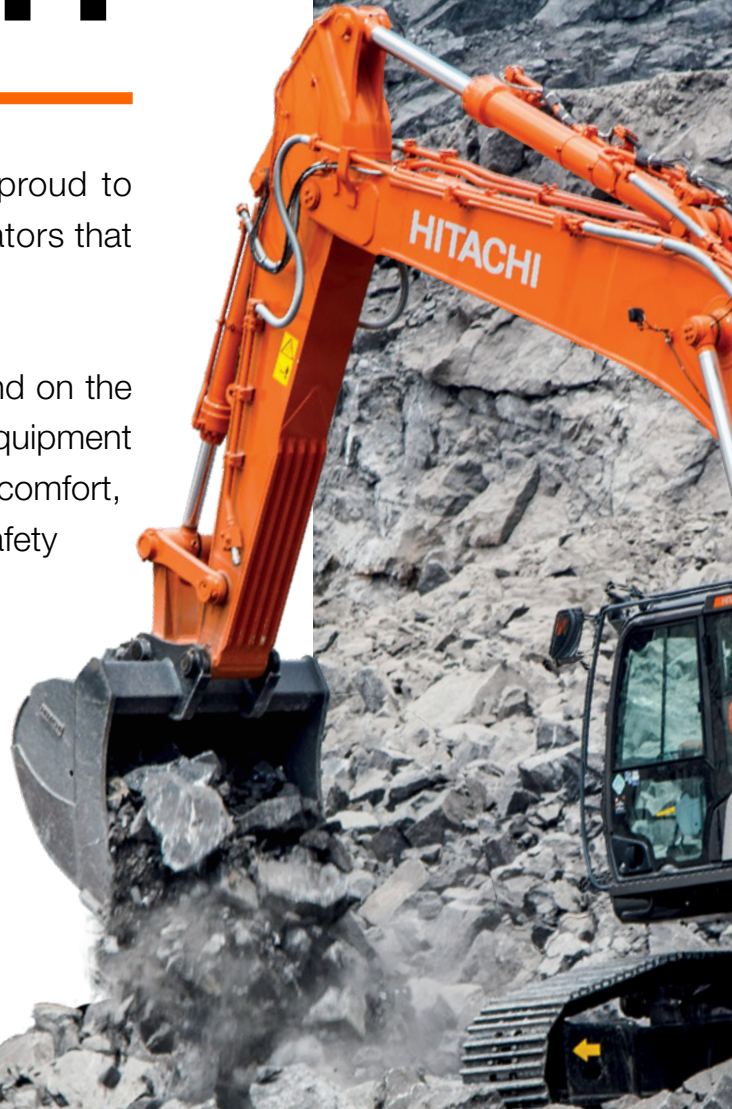




TABLE OF CONTENTS

- 02** Who We Are
- 04** Introduction
- 06** Machine Highlights
- 08** Performance
- 10** Applications
- 12** Inside the Cab
- 14** Service & Maintenance
- 16** Safety
- 18** Specifications

PRODUCTIVITY Boss

Here's where capability meets ease of use: the ZX490LC-7H delivers better productivity, lower operating costs, and supreme operator comfort.

In addition, major systems have been overhauled with next-generation hydraulics, maximizing the number of compatible attachments, ease of coupling, and fuel efficiency — for lower total cost of ownership.

When using heavy attachments, ZX490LC-7H operators have a number of tools at their disposal, including Tilt Control, Attachment / Arm Tuning Control, Hydraulic Quick Couplers, and several other specialized heavy-duty features.

With intuitive controls at the ready, operators can trust the ZX490LC-7H for sustained performance and peak productivity.

Improved Design Concept

Accomplish a wide variety of jobs with a powerful ZAXIS-7 series platform, using a range of attachments for adapting to the conditions.



Next Generation Technology

Integrated 8" anti-glare LCD monitor controls all major functions, including a 270° AERIAL ANGLE camera system, ECO Mode, and more.

Powerful, Durable Engine

Proven Isuzu 6WG1 diesel engine with up to 1,431 lbf of torque.

Increased Durability

Stout undercarriage with integrated X-Frame and enhanced track protection.

Quality Materials

From non-slip exterior surfaces to more durable interior materials, the ZX490LC-7H is made to last.





First-Class Cab Comfort

Maximum cab space, visibility of controls, and operator line-of-sight



Enhanced Productivity

Uptime is everything: lower fuel consumption and higher quality components mean less downtime and lower servicing costs.



Service & Maintenance

With ConSite Air, ConSite Oil, and field-tested maintenance routines, ZX490LC-7H is a workhorse with predictable service intervals.



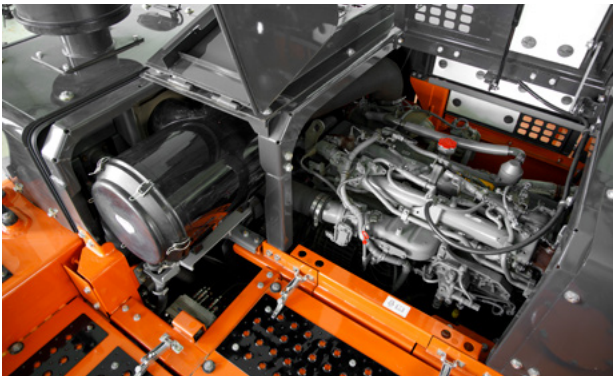
Gross Power : 389 HP (290 kW)
Operating Weight : 110,672 lbs (50,200 kg)
Max Dig Reach : 41 ft (12.49 m)
Max Dig Depth : 27 ft 2 in (8.27 m)

GREATER Expectations

Accomplish more with the unparalleled torque and precision of the ZX490LC-7H. With a proven 389 horsepower (290 kW) engine for applications as diverse as for construction, material handling, demolition, excavation, and more.

Attachment Replacement System

Change flow settings and save settings for up to 16 attachment presets, ensuring flexibility and peak productivity through multiple tasks.



Standard Work Modes

Three operator work modes (ECO, PWR, HP) best match available power to job site conditions.

Modern Emissions Controls

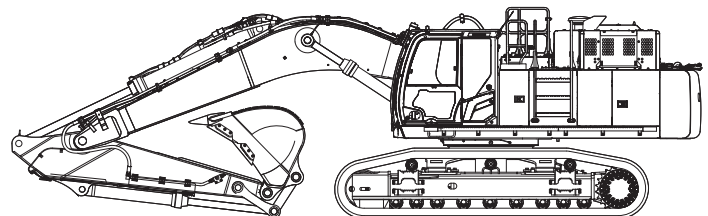
Durable diesel oxidation catalyst (DOC) and selective catalytic reduction (SCR) aftertreatment solution to protect the environment while preventing downtime.

Smart Engine Management

Isuzu Tier 4 Final Engine with built-in modes like an auto idle system with auto shutdown control to enhance fuel efficiency.

Precise Operator Control

Settings monitor allows operators to tailor attachment and arm speed for a range of jobs, from heavy digging to truck loading.



**HIGHLY
EFFICIENT**



**IMPROVED
PRODUCTIVITY**
and lower total
cost of ownership

Excavator



“ The ZX490LC-7 packs the versatility of a mid size excavator with the power and performance of a large size excavator - **providing enormous capability to tackle any application.** ”



Patrick Baker
Hitachi Construction Machinery Americas
Excavator Product Manager



Premium **POWERHOUSE**

No matter the job site, the ZX490LC-7H puts digging power and operator comfort first, because this excavator was built to handle any job site — plus overtime. Excellent for construction, road & highway infrastructure improvements, and in fixed locations. Fine attachment control with presets allows this excavator to adapt as required; do more with one machine.







COMFORT Lives Here

See and be seen: a larger interior with less vibration, more head clearance and less noise, a panoramic view from the cab, and one-touch adjustable air suspension seat synchronized to move with the console. ROPS and FOPS certified cab.

- 1 Increased sweeping area of parallel link wiper** enhances visibility in difficult working conditions.
- 2 Air conditioning and audio** are easily controlled via the monitor.
- 3 Low-reflective color 8" LCD monitor** is easy to view and navigate.
- 4 USB socket and smartphone holder** helps you stay connected.
- 5 Cup holder** is easy to detach for cleaning.
- 6 Additional joystick controls** for effortless operation.
- 7 Ergonomic design** gives you convenient access to controls.
- 8 Bluetooth®** for hands-free calls.
- 9 Multifunctional control panel** makes operation easier.
- 10 Improved sound isolation** makes this one of the quietest cabs in the market.
- 11 Convenient storage space** keeps your workspace tidy and clutter-free.
- 12 Coat hooks** take care of your personal belongings.
- 13 One-touch adjustment lever for console** so you can work comfortably in the optimum position.
- 14 Integrated console and seat suspension** gives a greater sense of control and helps to reduce fatigue.
- 15 Increased legroom** creates a more spacious cab.
- 16 Optimal pedal layout** helps to reduce fatigue.



SERVICE That Sticks

Protect your investment with proactive support services. Maintaining a robust distribution network to support customers' uptime is core to our business — and yours. Your dealer and your support team are dedicated to maintaining your uptime. Ask about how ConSite Oil and ConSite Air technology further increases uptime — a Hitachi Construction Machinery exclusive.

ConSite
Consolidated Solution for Construction Sites



NO HASSLE Maintenance

From up-to-the-second remote management with ConSite to the leading Hitachi Construction Machinery Americas Certified Remanufactured Components program, maintenance support is second-to-none. Identify problems before they start and supercharge productivity with our behind-the-scenes data platform that allows for remote fleet diagnostic access.



360° SAFETY

Work with confidence anywhere. Innovative, standard safety features are core to maintaining an incident-free jobsite. Standard AERIAL ANGLE camera system and a suite of operator tools ensures safer operation in all conditions.

AERIAL ANGLE Cameras

Peripheral vision camera system provides a wide 270-degree bird's-eye view of the machine's immediate environment.

Unmatched Visibility

See and be seen: LED work lights, large reflective strips, improved windshield wiper and roller sunshades ensure visibility in all conditions.

Multi-Angle Camera Display

With left, rear, and right side cameras and six different viewing positions from inside the cab display, operators can see clearly in all directions.

OPG Level II Guard

Optional OPG Level II cab guard (ISO 10262 : 1998) provides tremendous operator protection for use in quarries, demolition, and extreme environments.





SPECIFICATIONS

ZX490LC-7H

ENGINE	
Model	Isuzu 6WG1
Type	4-cycle water-cooled, common rail direct injection
Aspiration	Variable geometry turbocharged, intercooled, cooled EGR
Aftertreatment	DOC + SCR system
No. of cylinders	6
Rated power	
ISO 14396: 2002 gross	389 HP (290 kW) at 1,800 min ⁻¹
ISO 9249: 2007 net	388 HP (289 kW) at 1,800 min ⁻¹
Maximum torque	1,431 lbf (1,940 Nm) at 1,350 min ⁻¹
Piston displacement	956.917 cu .in. (15.681 L)
Bore and stroke	5.8" x 6.1" (147 mm x 154 mm)
Batteries	2 x 12 V / 147 Ah

HYDRAULIC SYSTEM			
Hydraulic Pumps			
Main pumps	2 variable displacement axial piston pumps		
Maximum oil flow	2 x 102 gal/min (385 L/min)		
Pilot pump	1 gear pump		
Maximum oil flow	7.9 gal/min(30.0 L/min)		
Hydraulic Motors			
Travel	2 variable displacement axial piston motors		
Swing	2 axial piston motors		
Relief Valve Settings			
Implement circuit	4,626.7 psi (31.9 MPa)		
Swing circuit	4,119.1 psi (28.4 MPa)		
Travel circuit	5,119.8 psi (35.3 MPa)		
Pilot circuit	565.6 psi (3.9 MPa)		
Power boost	5,119.8 psi (35.3 MPa)		
Hydraulic Cylinders			
	Quantity	Bore	Rod diameter
Boom	2	6.7" (170 mm)	4.5" (115 mm)
Arm	1	7.5" (190 mm)	5.1" (130 mm)
Bucket	1	6.7" (170 mm)	4.7" (120 mm)

UPPERSTRUCTURE	
Revolving Frame	
D-section frame for resistance to deformation.	
Swing Device	
Axial piston motor with planetary reduction gear is bathed in oil. Swing parking brake is spring-set/hydraulic-released disc type.	
Swing speed	9.6 min ⁻¹
Swing torque	109,159 lbf (148.0 kNm)

UNDERCARRIAGE	
Tracks	
Track shoes with triple grousers made of induction-hardened rolled alloy. Heat-treated connecting pins with dirt seals. Hydraulic (grease) track adjusters with shock-absorbing recoil springs.	
Numbers of Rollers and Shoes on Each Side	
Upper rollers	3
Lower rollers	9
Track shoes	53
Track guards	2
Travel Device	
Each track driven by axial piston motor through reduction gear for counterrotation of the tracks. Parking brake is spring-set/hydraulic-released disc type. Automatic transmission system: High-Low.	
Travel speeds	High: 0 to 3.4 mph (0 to 5.5 km/h) Low: 0 to 2.3 mph (0 to 3.7 km/h)
Maximum traction force	73,962 lbf (329 kN)
Gradeability	70% (35°) continuous

SERVICE REFILL CAPACITIES	
Fuel tank	178.2 gal (675.0 L)
Engine coolant	20.3 gal (77.0 L)
Engine oil	16.4 gal (62.0 L)
Swing device (each side)	1.7 gal (6.5 L)
Travel device (each side)	2.9 gal (11.0 L)
Hydraulic system	134.6 gal (510.0 L)
Hydraulic oil tank	81.8 gal (310.0 L)
DEF/AdBlue® tank	25.1 gal (95.0 L)

ENVIRONMENT	
Engine Emissions	EPA Final Tier 4 / EU Stage IV
Sounds Level	
Sound level in cab according to ISO 6396: 2008	LpA 70 dB(A)
External sound level according to ISO 6395: 2008 and EU Directive 2000/14/EC	LwA 107 dB(A)

WEIGHTS AND GROUND PRESSURE

Operating Weight and Ground Pressure

Bucket Capacity ISO7451: 2007 heaped, yd ³ (m ³)	Boom type ft-in (m)	Arm type ft-in (m)	Shoe grouser type	Shoe width	Operating weight	Ground pressure
				in (mm)	lb (kg)	psi (kPa)
2.7 (2.1) Rock bucket	22' 12" (7.0) H	11' 2" (3.4)	Triple	35" (900)	110,451 (50,100) ^{*1} 108,026 (49,000) ^{*2}	8.27 (57)
		12' 10" (3.9)	Triple	35" (900)	110,672 (50,200) ^{*1} 108,247 (49,100) ^{*2}	8.27 (57)

*1 Variable Gauge Undercarriage

*2 Fixed Undercarriage

BUCKET AND ARM DIGGING FORCE

Unit: lbf (kN)

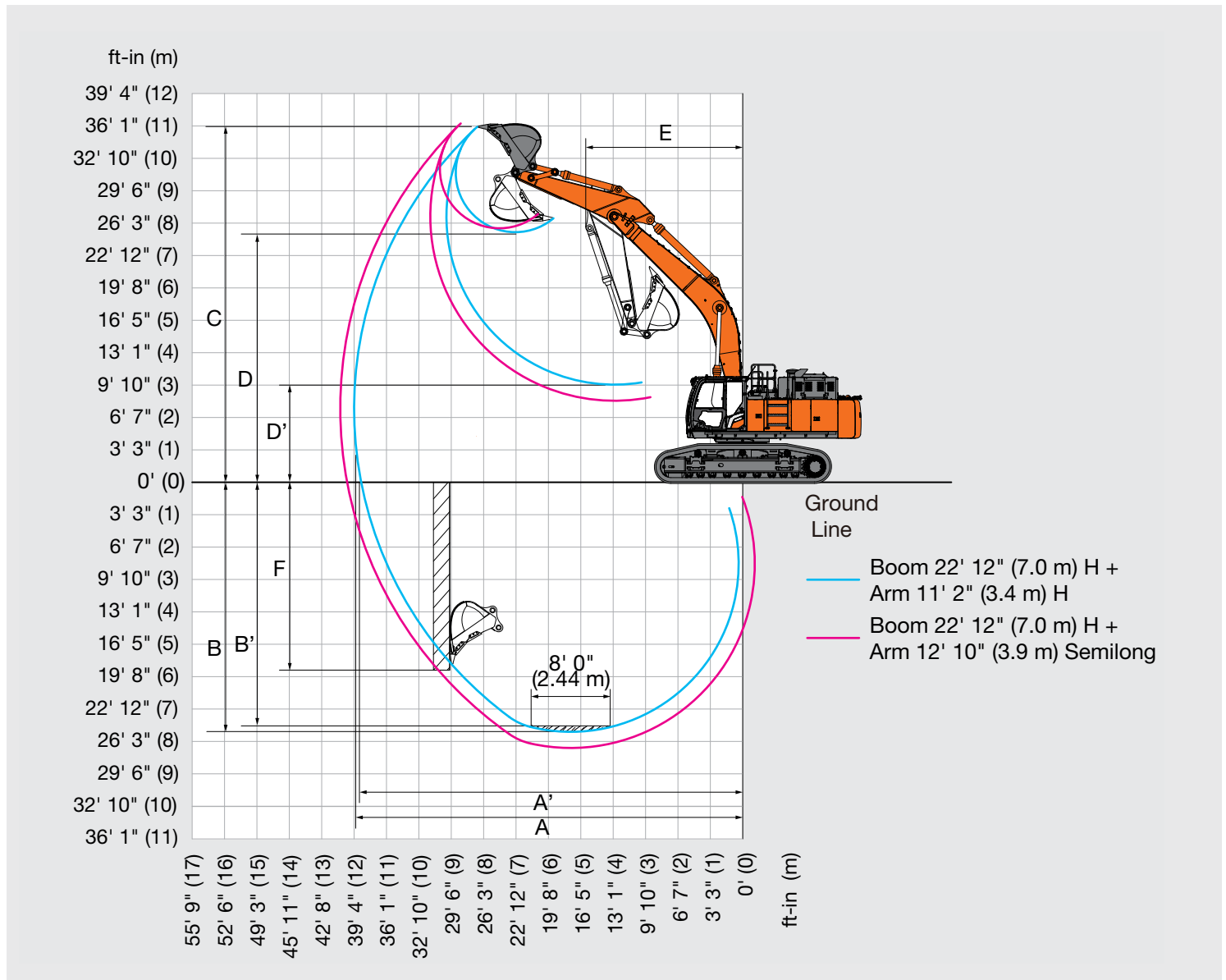
	ZX490LC-7H	
	Boom 22' 12" (7.0 m) H	Boom 22' 12" (7.0 m) H
	Arm 11' 2" (3.4 m) H	Arm 12' 10" (3.9 m) Semilong
Bucket digging force* ISO 6015: 2006	64,295 (286)	64,295 (286)
Arm crowd force* ISO 6015: 2006	50,582 (225)	45,187 (201)

* At power boost

SPECIFICATIONS

ZX490LC-7H

WORKING RANGES

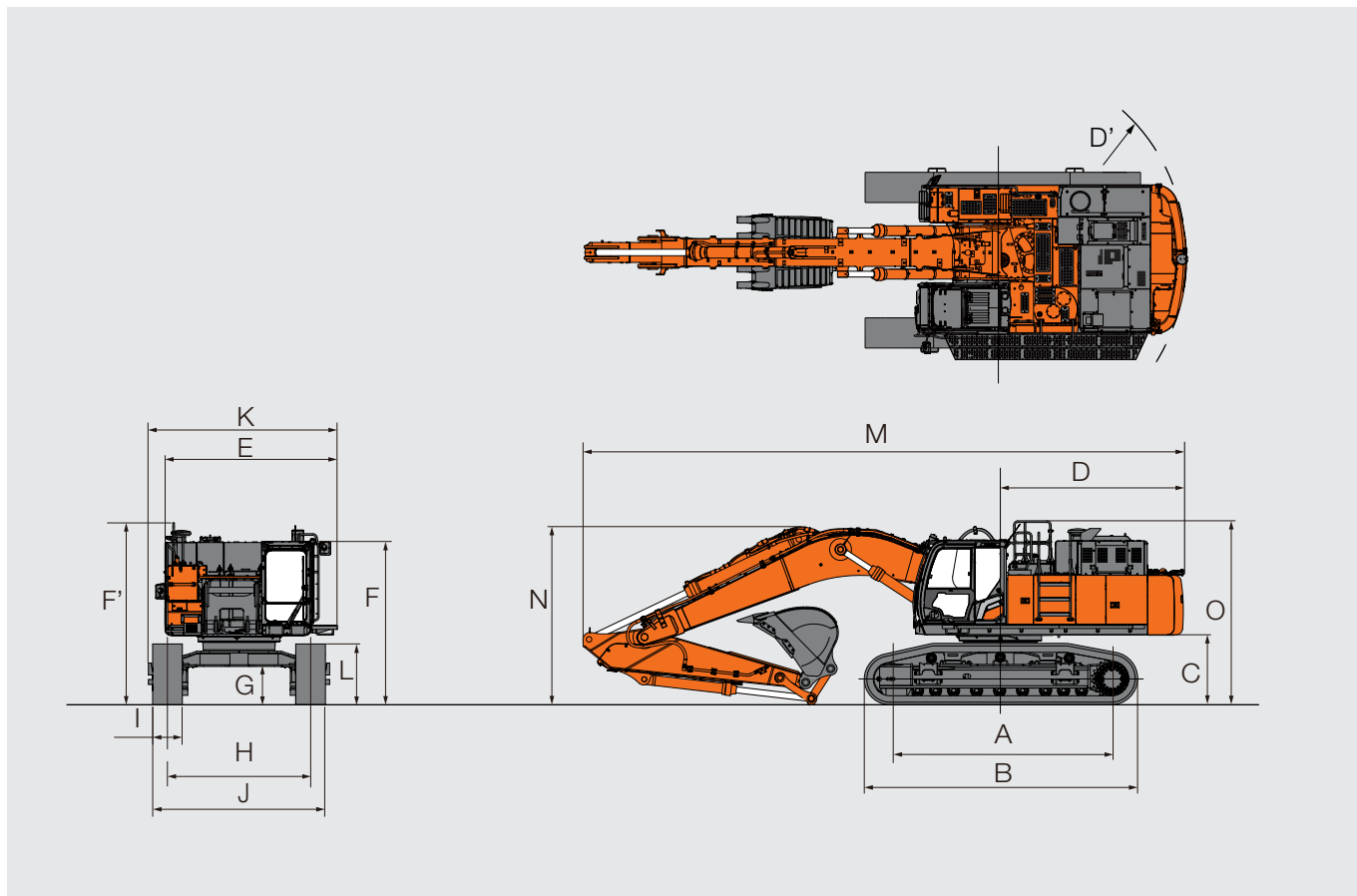


Unit: ft-in (mm)

	ZX490LC-7H	
	Boom 22' 12" (7.0 m) H	Boom 22' 12" (7.0 m) H
Boom length	Boom 22' 12" (7.0 m) H	Boom 22' 12" (7.0 m) H
Arm length	Arm 11' 2" (3.4 m) H	Arm 12' 10" (3.9 m) Semilong
A Max. digging reach	39' 4" (11,990)	41' (12,490)
A' Max. digging reach (on ground)	38' 7" (11,770)	40' 3" (12,280)
B Max. digging depth	25' 3" (7,700)	27' 2" (8,270)
B' Max. digging depth for 8' 0" (2.44 m) level	24' 10" (7,560)	26' 8" (8,140)
C Max. cutting height	36' 0" (10,980)	36' 7" (11,160)
D Max. dumping height	25' 4" (7,720)	25' 6" (7,770)
D' Min. dumping height	9' 11" (3,020)	8' 3" (2,520)
E Min. swing radius	15' 11" (4,840)	15' 9" (4,810)
F Max. vertical wall digging depth	18' 6" (5,630)	24' 6" (7,480)

Excluding track shoe lug

DIMENSIONS



Unit: ft-in (mm)

	ZX490LC-7H ²	
	Variable Gauge Undercarriage	Fixed Undercarriage
A Distance between tumbler	14' 8" (4,470)	14' 8" (4,470)
B Undercarriage length	17' 11" (5,470)	17' 11" (5,470)
*1 C Counterweight clearance	4' 6" (1,360)	4' 2" (1,275)
D Rear-end swing radius	12' 1" (3,680)	12' 1" (3,680)
D' Rear-end length	12' 1" (3,680)	12' 1" (3,680)
E Overall width of upperstructure	11' 5" (3,480)	11' 5" (3,480)
F Overall height of cab	11' 0" (3,360)	10' 9" (3,275)
*1 G Min. ground clearance	2' 5" (740)	2' 2" (655)
H Track gauge: Extended / Retracted	9' 6" (2,890) / 7' 10" (2,390)	8' 12" (2,740)
I Track shoe width	G 2' 11" (900)	G 2' 11" (900)
J Undercarriage width: Extended/Retracted	12' 5" (3,790) / 10' 10" (3,290)	11' 11" (3,640)
K Overall width	12' 6" (3,810)	12' 6" (3,810)
*1 L Track height with triple grouser shoes	4' 0" (1,220)	4' 0" (1,220)
M' Overall length	39' 5" (12,010)	39' 5" (12,010)
N' Overall height of boom	11' 6" (3,500)	11' 5" (3,485)
O Overall height of base machine	12' 1" (3,680)	11' 8" (3,595)

*1 Excluding track shoe lug

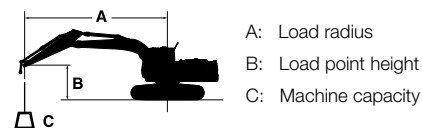
*2 Equipped with Boom 22' 12" (7.0 m) H and Arm 12' 10" (3.9 m) Semilong

G: Triple grouser shoe

MACHINE CAPACITIES

ZX490LC-7H

- Notes:
1. Ratings are based on ISO 10567: 2007.
 2. Machine capacity does not exceed 75% of tipping load with the machine on firm, level ground or 87% full hydraulic capacity.
 3. The load point is the center-line of the bucket pivot mounting pin on the arm.
 4. * Indicates load limited by hydraulic capacity.
 5. 0 ft (0 m) = Ground.
 6. Machine specifications are determined excluding the bucket.



For machine capacities, subtract installed attachment and quick hitch weight from machine capacities.
To determine lifting capacities, apply "Rating over-side or 360 degrees" machine capacities from the table and deduct weight of installed attachment and quick hitch.
Optional feature may affect machine performance.

ZX490LC-7H (Fixed Undercarriage)

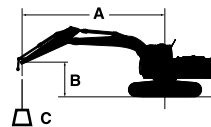
Rating over-front Rating over-side or 360 degrees Unit: lb (kg)

Conditions	Load point height ft (m)	Load radius														At max. reach		
		5 ft (1.5 m)		10 ft (3.0 m)		15 ft (4.5 m)		20 ft (6.0 m)		25 ft (7.5 m)		30 ft (9.0 m)		35 ft (10.5 m)				ft-in (meter)
Boom 23' (7.0 m) H Arm 11' 2" (3.4 m) H Counter-weight 20,018 lb (9,080 kg)	25' (7.5)									25,400* (11,480)*	24,300 (10,990)					19,100* (8,640)*	19,000 (8,580)	28' 4" (8.64)
	20' (6.0)									26,600* (12,060)*	23,700 (10,730)	24,900* (11,260)*	17,500 (7,930)			18,800 (8,490)	16,200 (7,330)	30' 10" (9.40)
	15' (4.5)					44,800* (20,300)*	44,800* (20,300)*	34,300* (15,520)*	31,900 (14,430)	28,900* (13,080)*	22,800 (10,300)	25,800* (11,670)*	17,100 (7,740)			19,000* (8,600)*	14,600 (6,610)	32' 5" (9.89)
	10' (3.0)					54,600* (24,760)*	44,700 (20,260)	39,000* (17,670)*	29,800 (13,500)	31,400* (14,230)*	21,700 (9,820)	27,100* (12,250)*	16,600 (7,490)			19,800* (8,940)*	13,800 (6,220)	33' 2" (10.12)
	5' (1.5)					37,900* (17,170)*	37,900* (17,170)*	42,600* (19,300)*	28,200 (12,760)	33,600* (15,200)*	20,800 (9,390)	27,000 (12,220)	16,000 (7,250)			21,100* (9,560)*	13,500 (6,090)	33' 3" (10.13)
	0 (Ground)					44,600* (20,210)*	41,200 (18,650)	44,100* (19,990)*	27,200 (12,320)	34,700* (15,710)*	20,100 (9,080)	26,500 (12,020)	15,600 (7,070)			23,100 (10,470)	13,700 (6,190)	32' 6" (9.91)
	-5' (-1.5)			32,200* (14,580)*	32,200* (14,580)*	56,800* (25,750)*	41,100 (18,630)	43,400* (19,680)*	26,900 (12,160)	34,400* (15,560)*	19,800 (8,940)	26,400 (11,950)	15,500 (7,010)			24,700 (11,170)	14,600 (6,590)	31' 0" (9.45)
	-10' (-3.0)			52,700* (23,870)*	52,700* (23,870)*	51,700* (23,420)*	41,600 (18,840)	40,400* (18,320)*	27,000 (12,210)	32,000* (14,490)*	19,800 (8,970)					25,800* (11,700)*	16,400 (7,420)	28' 7" (8.7)
	-15' (-4.5)			54,100* (24,530)*	54,100* (24,530)*	43,300* (19,640)*	42,500 (19,270)	34,300* (15,530)*	27,600 (12,490)	25,700* (11,630)*	20,400 (9,250)					25,100* (11,340)*	20,200 (9,120)	24' 11" (7.59)
Boom 23' (7.0 m) H Arm 12' 10" (3.9 m) Semilong Counter-weight 20,018 lb (9,080 kg)	25' (7.5)											18,100* (8,190)*	17,900 (8,090)			16,000* (7,230)*	16,000* (7,230)*	29' 12" (9.13)
	20' (6.0)									25,000* (11,330)*	24,000 (10,850)	23,400* (10,610)*	17,700 (8,010)			15,800* (7,130)*	15,000 (6,780)	32' 4" (9.86)
	15' (4.5)							32,100* (14,530)*	32,100* (14,530)*	27,400* (12,400)*	23,000 (10,390)	24,600* (11,120)*	17,200 (7,780)			16,000* (7,230)*	13,600 (6,150)	33' 10" (10.32)
	10' (3.0)					51,000* (23,110)*	45,700 (20,700)	37,000* (16,780)*	30,100 (13,640)	30,100* (13,630)*	21,800 (9,860)	26,000* (11,780)*	16,600 (7,490)	17,800* (8,060)*	12,900 (5,840)	16,600* (7,510)*	12,800 (5,790)	34' 7" (10.55)
	5' (1.5)					50,300* (22,790)*	42,200 (19,140)	41,100* (18,630)*	28,200 (12,780)	32,500* (14,720)*	20,700 (9,370)	26,900 (12,190)	15,900 (7,210)	19,300* (8,730)*	12,600 (5,700)	17,700* (8,010)*	12,500 (5,660)	34' 8" (10.56)
	0 (Ground)					49,200* (22,280)*	40,800 (18,470)	43,300* (19,630)*	27,000 (12,230)	34,000* (15,410)*	19,900 (9,000)	26,400 (11,940)	15,500 (6,990)			19,500* (8,800)*	12,700 (5,730)	33' 12" (10.35)
	-5' (-1.5)			32,500* (14,730)*	32,500* (14,730)*	57,800* (26,190)*	40,400 (18,310)	43,400* (19,660)*	26,500 (11,980)	34,100 (15,430)	19,500 (8,800)	26,100 (11,810)	15,200 (6,870)			22,200* (10,060)*	13,400 (6,050)	32' 6" (9.91)
	-10' (-3.0)	37,800* (17,120)*	37,800* (17,120)*	48,700* (22,070)*	48,700* (22,070)*	53,600* (24,300)*	40,700 (18,440)	41,300* (18,690)*	26,400 (11,960)	32,600* (14,780)*	19,400 (8,770)	25,800* (11,660)*	15,300 (6,900)			24,800* (11,220)*	14,900 (6,720)	30' 2" (9.20)
	-15' (-4.5)			60,700* (27,500)*	60,700* (27,500)*	46,500* (21,050)*	41,500 (18,810)	36,300* (16,460)*	26,900 (12,170)	28,200* (12,770)*	19,800 (8,950)					24,500* (11,100)*	17,800 (8,060)	26' 9" (8.16)
-20' (-6)					34,500* (15,640)*	34,500* (15,640)*	26,500* (11,980)*	26,500* (11,980)*							22,600* (10,250)*	22,600* (10,250)*	21' 9" (6.62)	

MACHINE CAPACITIES

ZX490LC-7H

- Notes:
1. Ratings are based on ISO 10567: 2007.
 2. Machine capacity does not exceed 75% of tipping load with the machine on firm, level ground or 87% full hydraulic capacity.
 3. The load point is the center-line of the bucket pivot mounting pin on the arm.
 4. * Indicates load limited by hydraulic capacity.
 5. 0 ft (0 m) = Ground.
 6. Machine specifications are determined excluding the bucket.



- A: Load radius
- B: Load point height
- C: Machine capacity

For machine capacities, subtract installed attachment and quick hitch weight from machine capacities. To determine lifting capacities, apply "Rating over-side or 360 degrees" machine capacities from the table and deduct weight of installed attachment and quick hitch. Optional feature may affect machine performance.

ZX490LC-7H (Variable Gauge Undercarriage)

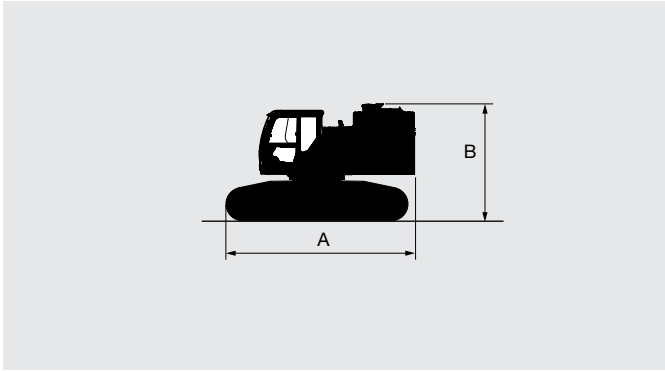
Rating over-front Rating over-side or 360 degrees Unit: lb (kg)

Conditions	Load point height ft (m)	Load radius														At max. reach		
		5 ft (1.5 m)		10 ft (3.0 m)		15 ft (4.5 m)		20 ft (6.0 m)		25 ft (7.5 m)		30 ft (9.0 m)		35 ft (10.5 m)		ft-in (meter)		
Boom 23' (7.0 m) H Arm 11' 2" (3.4 m) H Counter-weight 20,018 lb (9,080 kg)	25' (7.5)									25,400* (11,500)*	25,400* (11,500)*					19,100* (8,620)*	19,100* (8,620)*	28' 6" (8.69)
	20' (6.0)									26,700* (12,110)*	25,600 (11,580)	24,900* (11,280)*	19,000 (8,590)			18,800* (8,490)*	17,500 (7,900)	30' 12" (9.44)
	15' (4.5)					45,400* (20,560)*	45,400* (20,560)*	34,500* (15,640)*	34,400 (15,600)	29,000* (13,150)*	24,600 (11,140)	25,800* (11,700)*	18,500 (8,390)			19,000* (8,610)*	15,800 (7,160)	32' 6" (9.91)
	10' (3.0)					55,100* (24,960)*	48,900 (22,150)	39,200* (17,780)*	32,400 (14,660)	31,600* (14,300)*	23,500 (10,650)	27,100* (12,280)*	18,000 (8,140)			19,800* (8,970)*	15,000 (6,770)	33' 3" (10.13)
	5' (1.5)					37,900* (17,150)*	37,900* (17,150)*	42,700* (19,360)*	30,700 (13,920)	33,600* (15,240)*	22,600 (10,220)	27,600 (12,510)	17,500 (7,900)			21,200* (9,600)*	14,700 (6,650)	33' 2" (10.12)
	0 (Ground)					45,300* (20,520)*	45,300* (20,520)*	44,100* (19,990)*	29,800 (13,490)	34,700* (15,720)*	21,900 (9,920)	27,200 (12,320)	17,100 (7,720)			23,500* (10,620)*	15,000 (6,780)	32' 5" (9.89)
	-5' (-1.5)			33,300* (15,070)*	33,300* (15,070)*	56,600* (25,650)*	45,400 (20,590)	43,300* (19,630)*	29,500 (13,340)	34,300* (15,530)*	21,600 (9,780)	27,100 (12,260)	16,900 (7,660)			25,400 (11,520)	16,000 (7,240)	30' 11" (9.42)
	-10' (-3.0)			53,900* (24,430)*	53,900* (24,430)*	51,300* (23,260)*	45,900 (20,810)	40,200* (18,210)*	29,600 (13,410)	31,800* (14,390)*	21,700 (9,830)					25,800* (11,700)*	18,100 (8,170)	28' 5" (8.65)
-15' (-4.5)			53,300* (24,150)*	53,300* (24,150)*	42,800* (19,370)*	42,800* (19,370)*	33,800* (15,310)*	30,300 (13,700)	25,100* (11,350)*	22,400 (10,130)					25,000* (11,300)*	22,300 (10,110)	24' 8" (7.52)	
Boom 23' (7.0 m) H Arm 12' 10" (3.9 m) Semilong Counter-weight 20,018 lb (9,080 kg)	25' (7.5)											18,800* (8,490)*	18,800* (8,490)*			16,000* (7,220)*	16,000* (7,220)*	30' 1" (9.18)
	20' (6.0)									25,100* (11,380)*	25,100* (11,380)*	23,500* (10,630)*	19,200 (8,670)			15,800* (7,130)*	15,800* (7,130)*	32' 6" (9.90)
	15' (4.5)							32,300* (14,650)*	32,300* (14,650)*	27,500* (12,470)*	24,800 (11,230)	24,700* (11,160)*	18,600 (8,430)			16,000* (7,240)*	14,800 (6,670)	33' 11" (10.34)
	10' (3.0)					51,500* (23,330)*	49,900 (22,600)	37,300* (16,900)*	32,700 (14,800)	30,300* (13,700)*	23,600 (10,690)	26,100* (11,820)*	18,000 (8,130)	18,000* (8,150)*	14,100 (6,370)	16,700* (7,530)*	14,000 (6,310)	34' 8" (10.56)
	5' (1.5)					49,600* (22,490)*	46,500 (21,050)	41,300* (18,710)*	30,800 (13,940)	32,600* (14,770)*	22,500 (10,190)	27,400* (12,410)*	17,400 (7,850)	19,200* (8,700)*	13,800 (6,230)	17,800* (8,050)*	13,700 (6,190)	34' 7" (10.55)
	0 (Ground)					49,500* (22,450)*	45,000 (20,410)	43,400* (19,660)*	29,600 (13,400)	34,100* (15,430)*	21,700 (9,830)	27,000 (12,240)	16,900 (7,630)			19,600* (8,860)*	13,900 (6,290)	33' 11" (10.33)
	-5' (-1.5)			33,400* (15,110)*	33,400* (15,110)*	57,600* (26,120)*	44,700 (20,260)	43,300* (19,640)*	29,000 (13,150)	34,200* (15,480)*	21,300 (9,640)	26,800 (12,120)	16,600 (7,520)			22,400* (10,150)*	14,700 (6,650)	32' 5" (9.88)
	-10' (-3.0)	38,600* (17,470)*	38,600* (17,470)*	49,700* (22,510)*	49,700* (22,510)*	53,300* (24,170)*	45,000 (20,400)	41,100* (18,600)*	29,000 (13,150)	32,500* (14,710)*	21,300 (9,620)	25,500* (11,560)*	16,700 (7,570)			24,800* (11,220)*	16,400 (7,420)	30' 0" (9.15)
-15' (-4.5)			59,900* (27,150)*	59,900* (27,150)*	46,000* (20,830)*	45,900 (20,800)	36,000* (16,290)*	29,500 (13,380)	27,800* (12,600)*	21,700 (9,820)					24,500* (11,080)*	19,700 (8,930)	26' 7" (8.09)	
-20' (-6)					33,700* (15,250)*	33,700* (15,250)*	25,600* (11,600)*	25,600* (11,600)*							22,400* (10,160)*	22,400* (10,160)*	21' 4" (6.51)	

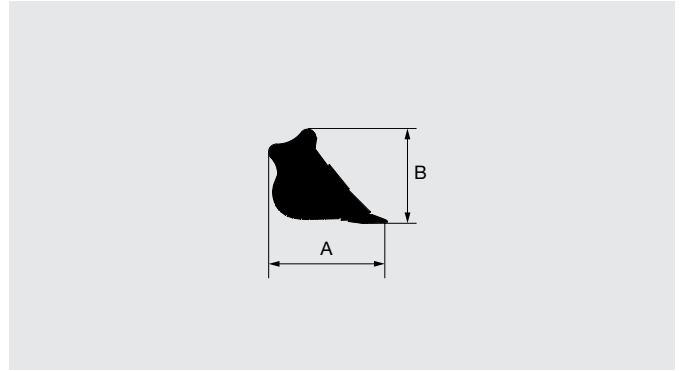
TRANSPORTATION

ZX490LC-7H

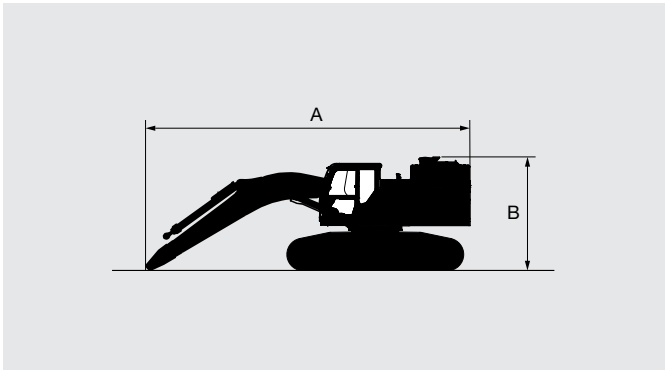
BASIC MACHINE (WITHOUT COUNTERWEIGHT)



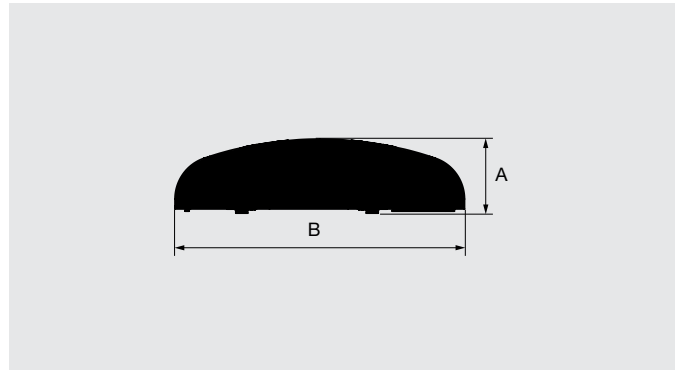
BUCKET



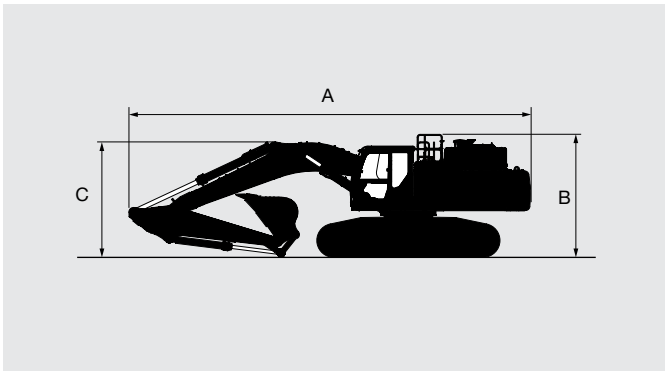
BASIC MACHINE FITTED WITH BOOM AND NO SIDEWALK



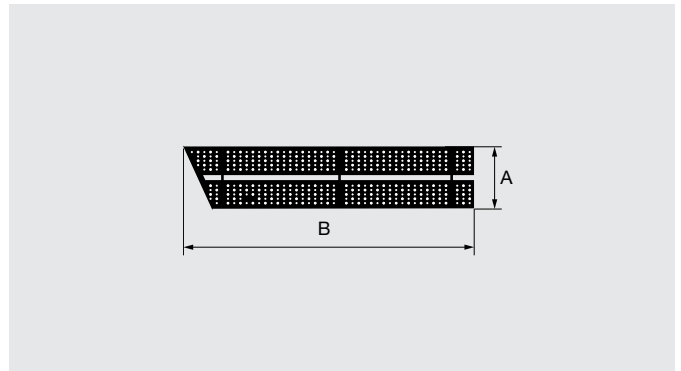
COUNTERWEIGHT



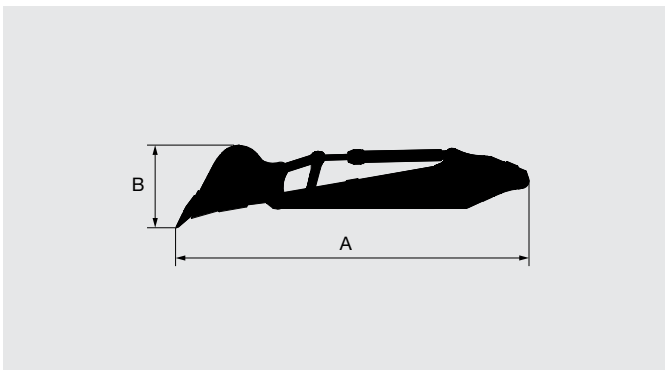
BASIC MACHINE FITTED WITH FRONT AND SIDEWALK



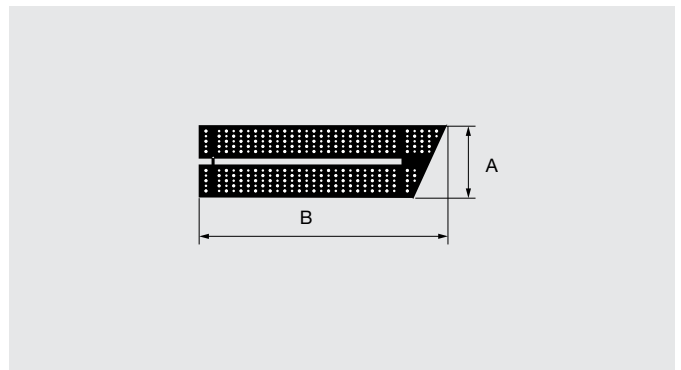
LEFT FRONT SIDEWALK



ARM AND BUCKET



LEFT REAR SIDEWALK



BASIC MACHINE (WITHOUT COUNTERWEIGHT)

Shoe width inch (mm)	A ft-in (mm)	B ¹ ft-in (mm)	Overall width ³ ft-in (mm)	Weight lb (kg)
35" (900)	18' 8" (5,690)	11' 7" (3,520) ²	10' 10" (3,290) ^{*4} 11' 11" (3,640) ^{*5}	68,784 (31,200) ^{*4} 66,359 (30,100) ^{*5}

¹ 12' 2" (3,710 mm) when precleaner is equipped

² Without pre-cleaner

³ Undercarriage retracted

⁴ Variable Gauge Undercarriage

⁵ Fixed Undercarriage

BASIC MACHINE FITTED WITH BOOM AND NO SIDEWALK

Boom length ft-in (mm)	Shoe width inch (mm)	A ft-in (mm)	B ¹ ft-in (mm)	Overall width ³ ft-in (mm)	Weight lb (kg)
22' 12" (7.0) H	35" (900)	32' 6" (9,910)	11' 7" (3,520) ²	10' 10" (3,290) ^{*4} 11' 11" (3,640) ^{*5}	79,587 (36,100) ^{*4} 77,162 (35,000) ^{*5}

¹ 12' 2" (3,710 mm) when precleaner is equipped

² Without pre-cleaner

³ Undercarriage retracted

⁴ Variable Gauge Undercarriage

⁵ Fixed Undercarriage

BASIC MACHINE FITTED WITH FRONT AND SIDEWALK

Boom length ft-in (mm)	Arm length ft-in (mm)	A ft-in (mm)	B [*] ft-in (mm)	C ft-in (mm)
22' 12" (7.0) H	11' 2" (3.4)	39' 5" (12,020)	12' 2" (3,710)	11' 4" (3,450)
22' 12" (7.0) H	12' 10" (3.9)	39' 5" (12,010)	11' 6" (3,500)	11' 6" (3,500)

* With handrail

ARM AND BUCKET

Arm	Bucket capacity, yd ³ (m ³) ISO 7451: 2007 heaped	A ft-in (mm)	B ft-in (mm)	Overall width ft-in (mm)	Weight lb (kg)
11' 2" (3.4) H	2.7 (2.1)	20' 11" (6,370)	4' 10" (1,470)	4' 11" (1,500)	10,362 (4,700)
12' 10" (3.9) Semilong	2.7 (2.1)	22' 6" (6,870)	4' 10" (1,470)	4' 11" (1,500)	10,626 (4,820)

BUCKET

Bucket	Capacity, yd ³ (m ³) ISO 7451: 2007 heaped	A ft-in (mm)	B ft-in (mm)	Overall width ft-in (mm)	Weight lb (kg)
Rock bucket	2.7 (2.1)	6' 5" (1,950)	5' 5" (1,650)	5' 2" (1,580)	4,784 (2,170)

COUNTERWEIGHT / LEFT FRONT SIDEWALK / LEFT REAR SIDEWALK

	Weight lb (kg)	Overall height ft-in (mm)	A ft-in (mm)	B ft-in (mm)
Counterweight	20,018 (9,080) 18,077 (8,200) *	4' 5" (1,340)	2' 6" (754)	9' 8" (2,950)
Left front sidewalk	97 (44)	0' 6" (150)	1' 8" (515)	7' 8" (2,340)
Left rear sidewalk	66 (30)	0' 6" (150)	1' 8" (515)	5' 7" (1,700)

* With counterweight removal system

EQUIPMENT

ZX490LC-7H

●: Standard equipment ○: Optional equipment

ENGINE	ZX490LC-7H
Aftertreatment device	●
Air cleaner double filters	●
Alternator 90 A	●
Auto idle system	●
Auto shut-down control	●
Cartridge-type engine oil filter	●
Cartridge-type fuel main filter	●
ConSite OIL (sensor)*	●
DEF / AdBlue® tank	●
DEF / AdBlue® tank inlet strainer and extension filler	●
Dry-type air filter with evacuator valve (with air filter restriction indicator)	●
Dust-proof net	●
ECO / PWR / HP mode control	●
Electrical fuel feed pump	●
Engine oil drain coupler	●
Expansion tank	●
Fan guard	●
Fuel cooler	●
Fuel pre-filter with water separator	●
Isolation-mounted engine	●
Maintenance free pre-cleaner	○
Radiator, oil cooler and intercooler	●
Reversible fan	●

HYDRAULIC SYSTEM	ZX490LC-7H
Auto power lift	●
AUX function lever (breaker)	●
AUX function lever (breaker assist)	○
Attachment pedal	○
Boom mode selector system	●
ConSite Oil (sensor)*	●
Control pattern changer (ISO/BH)	●
Control valve with main relief valve	●
Drain filter	●
Engine speed sensing system	●
Extra port for control valve	●
Hose rupture valve for boom/arm and overload alarm	○
Pilot filter	●
Power boost	●
Shockless valve in pilot circuit	●
Straight travel pedal	○
Suction filter	●
Variable relief valve for breaker and crusher	●
Work mode selector	●

CAB	ZX490LC-7H
All-weather sound suppressed steel cab	●
Auto control air conditioner	●
Bluetooth® integrated radio	●
Console height adjustment	●
Control lever auto-lock	●
CRES VII (center pillar reinforced structure) cab	●
Drink holder with hot and cool function	●
Electric double horn	●
Engine shut-off switch	●
Equipped with reinforced, tinted (green color) glass windows	●
Evacuation hammer	●
Floor mat	●
Fluid-filled elastic mounts (6)	●
Foot rest	●
Front window washer (2 points)	●
Glove compartment	●
Hands-free calling device	●
Hot and cool box	●
Intermittent windshield wiper	●
Key cylinder light	●
Laminated round glass front window	●
LED room light	●
Magazine rack	●
OPG front guard Level II (ISO10262: 1998) compliant	○
OPG top guard Level I (ISO10262: 1998) compliant	●
OPG top guard Level II (ISO10262: 1998) compliant	○
Pilot shut-off lever	●
Power outlet 12 V and 24 V	●
Push button low idle	●
Rain guard (without OPG front guard)	●
Rear tray	●
Retractable seat belt 3 in. (76 mm)	●
ROPS (ISO 12117-2: 2008) compliant cab	●
Rubber radio antenna	●
Seat: air suspension seat with heater	●
Seat adjustment part: backrest, armrest, height and angle, slide forward / back	●
Seat belt reminder	●
Short wrist control levers	●
Smartphone holder	●
Stereo speakers (2)	●
Sunscreen roller type (multi-use front or side and rear window)	●
Transparent roof with slide curtain	●
USB power supply	●
Wide view wiper	●
Windows on front, upper and lower side can be opened	●
Windows on left side can be opened	●
8" monitor	●

●: Standard equipment ○: Optional equipment

MONITOR SYSTEM	ZX490LC-7H
Alarm buzzers: overheat, engine oil pressure, overload, SCR system trouble, etc	●
Alarms: overheat, engine warning, engine oil pressure, alternator, minimum fuel level, hydraulic filter restriction, air filter restriction, work mode, overload, SCR system trouble, etc	●
Display of meters: water temperature, hour, fuel rate, clock, DEF / AdBlue® rate, etc	●
Other displays: work mode, auto-idle, glow, rear view monitor, side view monitor, operating conditions, etc	●
35 languages selection	●

LIGHTS	ZX490LC-7H
Additional boom LED light with cover	●
Additional cab roof front LED lights	●
LED lights for camera (side and rear view camera)	●
Rotating lamp	○
Working LED lights (2)	●

UPPER STRUCTURE	ZX490LC-7H
AERIAL ANGLE (side and rear view camera)	●
Batteries 2 x 147 Ah	●
Body top handrail	●
Counterweight 20,018 lb (9,080 kg)	●
Counterweight removal system	○
Fuel level float	●
Hydraulic oil level gauge	●
Ladder	●
Lockable fuel refilling cap	●
Lockable machine covers	●
Lockable tool box	●
Platform handrail	●
Reinforced under cover	○
Side view mirror (right and left)	●
Sidewalk (cab side)	●
Skid-resistant plates and handrails	●
Swing parking brake	●
Undercover	●
Utility space	●
2 way battery disconnect switch	●

UNDERCARRIAGE	ZX490LC-7H
Bolt-on sprocket	●
Reinforced track links with pin seals	●
Shoe: 35" (900 mm) triple grouser	●
Tie down hooks (4)	●
Track guards (2 each side)	●
Track undercover	○
Travel direction mark on track frame	●
Travel motor covers	●
Travel parking brake	●
Upper and lower rollers	●

FRONT ATTACHMENTS	ZX490LC-7H
Arm 11' 2" (3.4 m) H	○
Arm 12' 10" (3.9 m) Semilong	●
Boom 22' 12" (7.0 m) H	●
Centralized lubrication system	●
Cylinder hose protectors arm	●
Cylinder hose protectors bucket	●
Damage prevention plate and square bars	●
Dirt seal on all bucket pins	●
Flanged pin	●

ATTACHMENTS	ZX490LC-7H
Auxiliary Hydraulic Piping	●
Additional pump	○
Assist piping	○
Pilot accumulator	●
Two Pump Combined Flow	○

MISCELLANEOUS	ZX490LC-7H
ConSite	○
Exclusive Global e-Service telematics	●
Onboard information controller	●
Satellite communication device	○
Standard tool kit	●
Travel alarm	●

Standard and optional equipment may vary by country, so please consult your Hitachi Construction Machinery Americas authorized local dealer for details.
* Engine oil and hydraulic oil monitoring sensor.

NOTES

HITACHI

Reliable Solutions



REPUTATIONS ARE **BUILT ON IT.**

A legacy built on quality products and service: this is our story. For more than 50 years, Hitachi Construction Machinery Americas has been the regional partner of Hitachi Construction Machinery Group, headquartered in Japan.

Well-respected in North America since the 1970s when Hitachi Construction Machinery Group led a prominent joint venture, Hitachi Construction Machinery Americas recently established a new facility in Newnan, GA. that is poised to support local customers for years to come.

With input from construction professionals on every continent, our machinery is manufactured at state-of-the-art facilities in Japan and exported for sale across the world.

Your local Hitachi Construction Machinery Americas dealer has the resources, expertise, and personnel to work with you, ensuring the best return on investment. Utilizing carefully designed programs and services in conjunction with extensive digital resources, Hitachi Construction Machinery Americas provides a focused approach to supporting you, your business, and the durable construction machinery that your operation relies upon.

Machines in this brochure may be representative of global products not sold in the North American market, and used for illustrative purposes only. Options may not be available in all markets. Before operating this machine (incl. satellite communication system) outside of its original country of sale, it may be necessary to make modifications to comply with local regulatory, safety, and legal requirements. Please do not export or operate this machine outside the country of its intended use until such compliance has been confirmed. Contact your dealer for more assistance with regional compliance.

