



## Waste Handling Grapples

### Trash Handling/Sorting

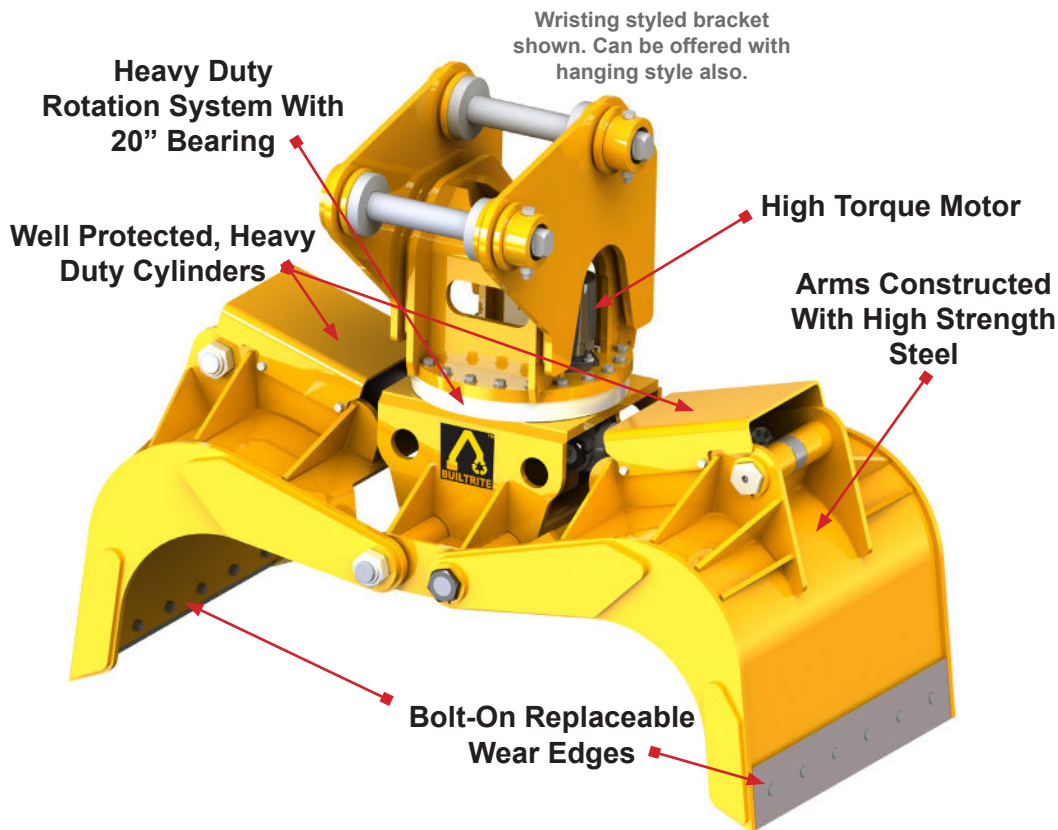
**Builrite Trash Handling/ Sorting Grapples** are designed for handling, densifying and sorting all types of solid waste and C&D Debris. These grapples are ideal for use in waste transfer stations, C&D recycling yards and demolition sites, assisting with loading and sorting waste into truck trailers, roll-off containers or railroad cars. When fully closed, the lower edge of the grapple is angled down, allowing the operator to easily sort materials. The finest materials are used to provide maximum durability, exceptional performance and low maintenance, reducing your downtime. Key features include:

- 360° continuous rotation on heavy duty bearing with high torque motor and high pressure hydraulic swivel.
- Large surface area when closed for optimal tamping performance.
- High tensile steel used throughout.
- Replaceable bushings on all pivot points.
- Bolt on replaceable wear edges.
- Easily accessible, yet well protected grease zerks.
- Made in U.S.A.

#### Options Include:

- Can be offered in a hanging or wristing head configuration.
- Larger capacity arms (More width and depth).
- Can be mounted to Builrite, Stationary Electric Material Handlers or excavators.

If you're looking for the toughest, most durable grapple on the market, look no further...make it a **Builrite**.



Grapple Open Position

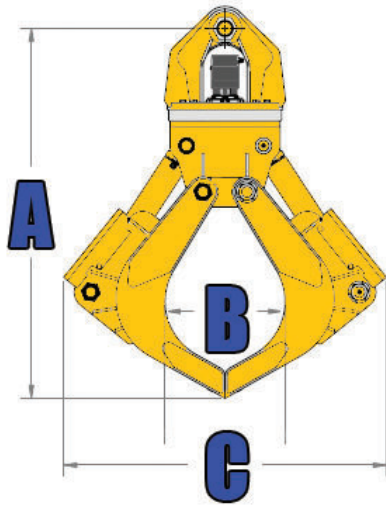


Grapple Closed Position

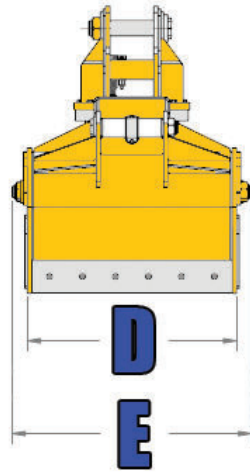
# Trash Handling / Sorting Grapple Specifications

Model	*Weight		Height Closed (A)		See Diagram (B)		Overall Width Closed (C)		See Diagram (D)		Grapple Arm Width (E)		Height @ Open (F)		See Diagram (G)		Full Open Inside Width (H)		Full Open Outside Width (I)	
	Lbs.	Kg.	in.	mm	in.	mm	in.	mm	in.	mm	in.	mm	in.	mm	in.	mm	in.	mm		
THS 20T	2,100	955	67	1,702	18	457	45	1,143	28	711	33	838	48	1,219	12	305	60	1,524	68	1,727
THS 24T	2,850	1,295	76	1,930	22	559	59	1,499	38	965	43	1,092	57	1,448	16	406	65	1,651	74	1,880

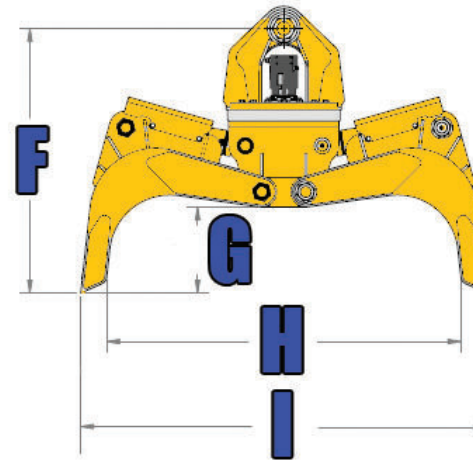
Side View - Closed



End View - Opened

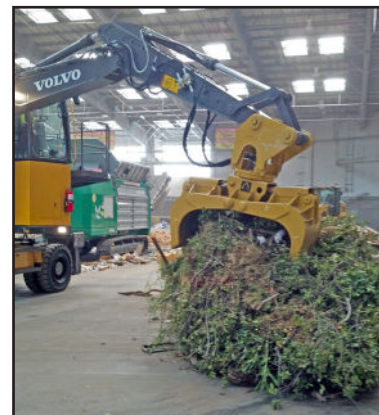


Side View - Opened



## Hydraulic Requirements

	Flow GPM / LPM	Pressure PSI / Bar
Open / Close	22 / 85	3,500-5,000 / 241 - 345
Rotation	4-6 / 15- 23	1,800 / 124



**NOTE:** Bultrite Manufacturing reserves the right to change specifications and prices without notice in order to follow its policy of constantly striving to manufacture a better product without incurring any liability to provide these new features on any units previously manufactured.

## Bultrite Manufacturing, Inc.

530 Recycle Center Drive, Two Harbors, Minnesota, U.S.A. 55616

Web: [www.bultritehandlers.com](http://www.bultritehandlers.com) E-Mail: [info@bultritehandlers.com](mailto:info@bultritehandlers.com) Phone: 218-834-5555 Fax: 218-834-5556

