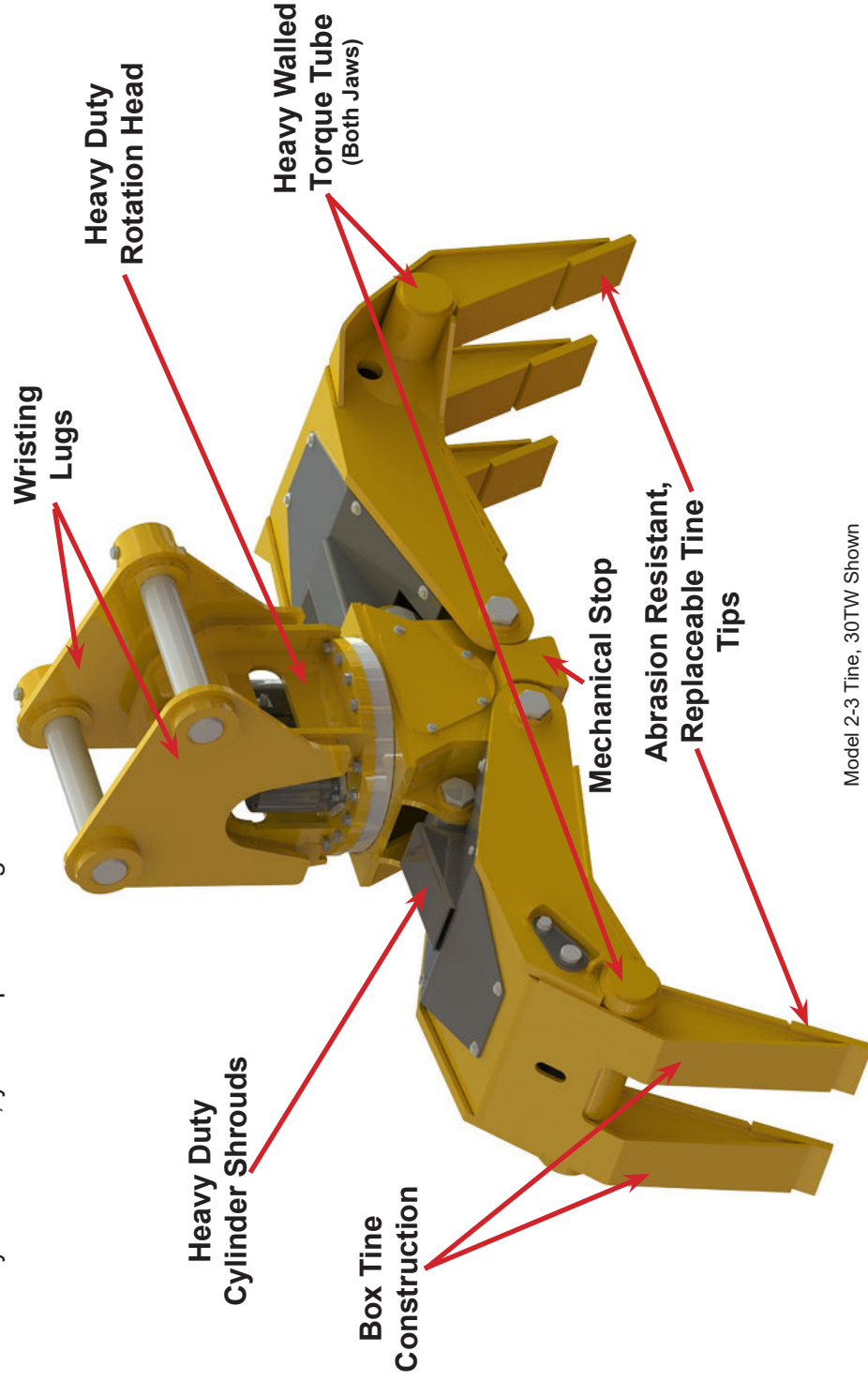


The **Builtrite, 2/3 Tine, Wristing Grapple** is the closest tool to a human hand that is mounted to an excavator. The ability to raise and lower (wristing action), rotate continuously either way and with its 2 into 3, bypass tines, grab both bulky items and single items with ease, it is one of the most versatile tools available. This grapple can be used to handle scrap steel and non-ferrous metals, municipal solid waste, logs, rock and demolition debris. It is excellent for sorting mixed debris, like removing waste tires from municipal solid waste, handling loose and bailed scrap with equal ease and can be used to carry out demolition of wood and brick buildings.

This grapple is offered in two sizes, for machines excavators weighing from 18-30 metric tons. Built with 100,000 KSI, yield strength steel in its grapple arms and using AR 500 abrasion resistant tine tips, this grapple is designed to perform in extreme conditions, providing maximum durability and low maintenance, reducing your downtime. Key features include:

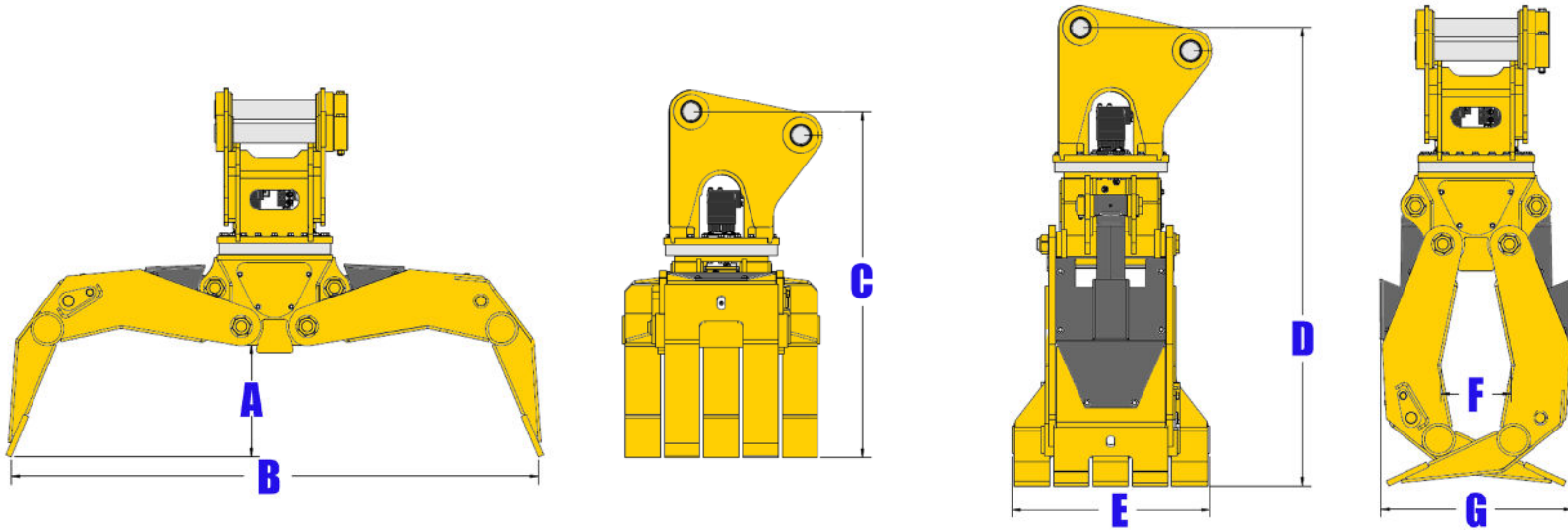
- High pressure, well protected cylinders.
- Heavy duty rotation using a high torque motor and heavy duty bearing.
- Grapple arms constructed of high strength, abrasion resistant steel. Tine tips made from AR 500 plate for maximum wear resistance.
- Mechanical stops prevent cylinders from over-stroking.
- Heavy walled torque tubes run the entire width of the grapple frames, minimizing torsional (twisting) stresses.
- Oversized, hardened cylinder and pivot pins.
- Easily accessible, yet well protected grease zerks.



Model 2-3 Tine, 30TW Shown

# 2/3 Tine, Wristing Grapple Specifications

Model	Weight		(A)		(B)		(C)		(D)		(E)		(F)		(G)	
	Lbs.	Kg.	in.	mm	in.	mm	in.	mm	in.	mm	in.	mm	in.	mm	in.	mm
2/3 SG-W 20T	2,670	1,214	22	559	66	1,676	65	1,651	75	1,905	35	889	12	305	34	864
2/3 SG-W 30T	3,380	1,536	20	508	96	2,438	63	1,600	83	2,108	36	914	13	330	35	889



**Note:** 2/3 SG-W 30T Graphic. The geometry of the other two models changes slightly. An actual dimensional sheet and rendering can be supplied upon request.

Hydraulic Requirements			
	FUNCTION	FLOW GPM / LPM	PRESSURE PSI / Bar
2/3 Tine, 20T	Open / Close	16-20 / 60-75	2,500-5,000 / 172-345
	Rotation	4-6 / 13-21	1,800 / 124
2/3 Tine, 30T	Open / Close	16-20 / 60-75	2,500-5,000 / 172-345
	Rotation	4-6 / 13-21	1,800 / 124



BUILTRITE LEMCO RESERVES THE RIGHT TO CHANGE SPECIFICATIONS AND PRICES WITHOUT NOTICE IN ORDER TO FOLLOW ITS POLICY OF CONSTANTLY STRIVING TO MANUFACTURE A BETTER PRODUCT WITHOUT INCURRING ANY LIABILITY TO PROVIDE THESE NEW FEATURES ON ANY UNITS PREVIOUSLY MANUFACTURED.

