

# E70D

MIDI EXCAVATORS  
D Series



# E70D MIDI EXCAVATOR SPECIFICATIONS

ENGINE	
Type	KUBOTA V2607-CR-T - STAGE 5
Max. Power (2300 rpm)	hp (kW) 60.2 (44.3)
Displacement	in <sup>3</sup> (cm <sup>3</sup> ) 160 (2615)
Number of cylinders	n° 4
Cooling	Liquid
Consumption	GPH (l/h) 2 (7.6)
Alternator	V 12 (60A)
Battery	V (Ah) 12 (95)

HYDRAULIC SYSTEM	
Circuit type	Load Sensing closed center system with "Flow Sharing" control valve
Pump type	1 LS hydraulic variable pump with electronic control + 1 gear pump
Pump displacement - 2 pumps	in <sup>3</sup> (cm <sup>3</sup> ) 4.3 + .86 (71 + 14)
Pump capacity - 2 pumps	GPM (l/min) 37 + 7.3 (141 + 27.8)
Max. circuit calibration pressure	PSI (bar) 4061 (280)
Auxiliary system (max pressure):	
AUX 1 single or double effect with priority	GPM (l/min) 22.5 - 53 bar (85 - 200 bar)
AUX 2 double effect	GPM (l/min) 17.2/23.8 - 74 bar (65/90 - 280 bar)
AUX 3 double effect optional	GPM (l/min) 12 - 74 bar (45 - 280 bar)

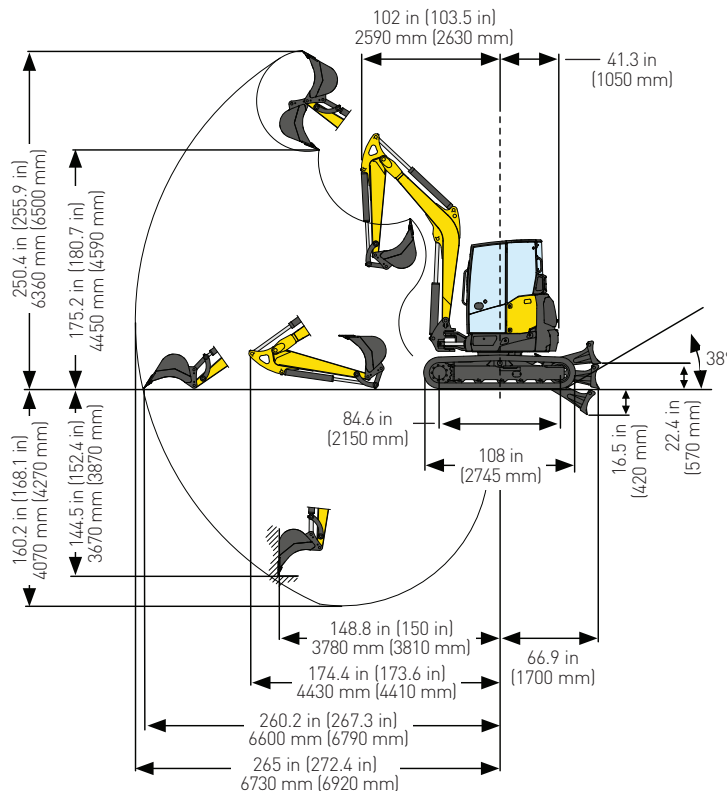
SLEWING & TRAVEL SPEED	
Traveling speed (AUTO TWO SPEED)	mph 1st : 0 ÷ 1.3 / 2nd : 0 ÷ 2.6 (km/h) (1st : 0 ÷ 2.1 / 2nd : 0 ÷ 4.2)
Slew speed	rpm 11

WEIGHTS	
Transport weight with cab	lb (kg) 15,476 (7020)
Operating weight with cab (with rubber tracks) ISO 6016	lb (kg) 16,072 (7290)

CONTROLS	
Boom, dipper stick, bucket and turret swing	2 pilot joysticks
Track movements (included counter rotation)	2 pilot levers
Dozer blade	pilot lever
Priority auxiliary system with holding function	
AUX 1 (single or double effect)	Electro-proportional switch on right joystick
Auxiliary system	
AUX 2 (double effect)	Electro-proportional switch on right joystick
Low priority auxiliary system	
AUX 3 (double effect)	Electro-proportional switch on left joystick
Boom swing	Electro-proportional switch on left joystick

CIRCUIT AND COMPONENT CAPACITIES	
Fuel tank	gal (l) 22.5 (85)
Hydraulic oil tank	gal (l) 15.8 (60)
Hydraulic circuit capacity	gal (l) 21.1 (80)
Cooling system capacity	gal (l) 3.2 (12)
Engine oil	gal (l) 2.7 (10.2)

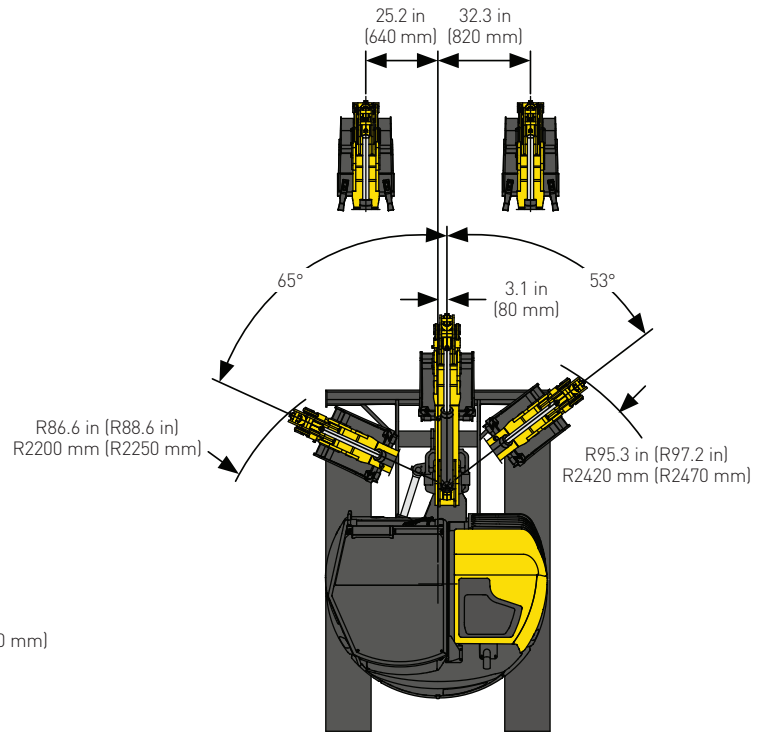
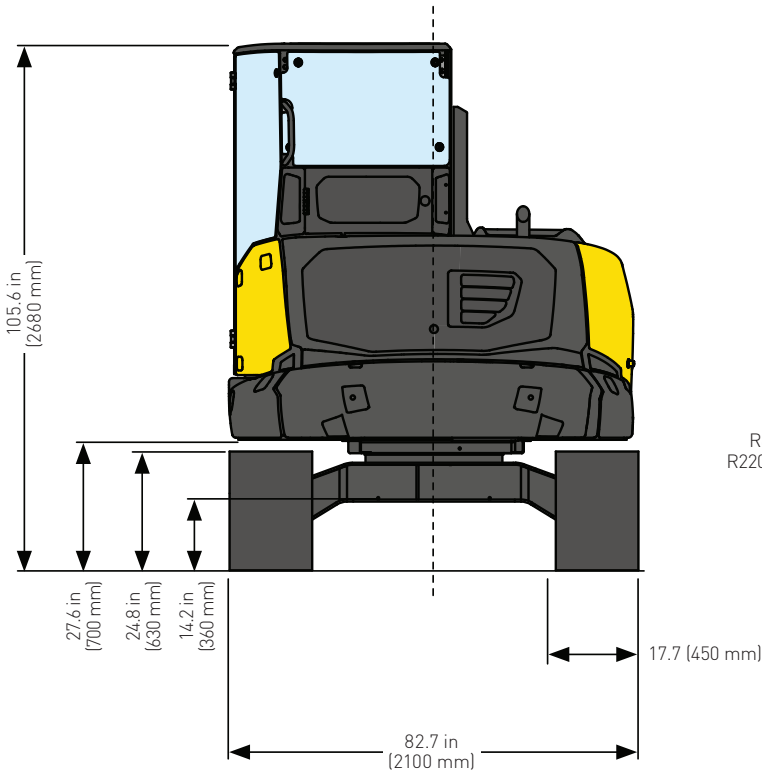
PERFORMANCE DATA	
Max. digging depth	
Standard arm — 74.8 in (1900 mm)	in (mm) 160.2 (4070)
Optional arm — 82.7 in (2100 mm)	in (mm) 168.1 (4270)
Max. dumping height	
Standard arm — 74.8 in (1900 mm)	in (mm) 175.2 (4450)
Optional arm — 82.7 in (2100 mm)	in (mm) 180.7 (4590)
Bucket breaking force ISO 6015	lbf (daN) 10,903 (4850)
Arm breaking force ISO 6015	
Standard arm — 74.8 in (1900 mm)	lbf (daN) 6519 (2900)
Optional arm — 82.7 in (2100 mm)	lbf (daN) 6070 (2700)
Traction force	lbf (daN) 16,074 (7150)
Ground bearing pressure with rubber tracks	psi (kg/cm <sup>2</sup> ) 4.8 (0.34)
Max. slope [60%]	degrees 30



Standard dipper stick L = 74.8 in  
(Optional dipper stick L = 82.7 in)  
Standard dipper stick L = 1900 mm  
(Optional dipper stick L = 2100 mm)

## GENERAL DIMENSIONS

Maximum width	in (mm)	82.7 (2100)
Total height	in (mm)	105.5 (2680)
Tracks width	in (mm)	17.7 (450)
Rear rotation radius	in (mm)	41.4 (1050)
Digging arm length standard (optional)	in (mm)	82.7 (2100)
Rollers number (for each side)	n°	5/1



## LIFTING CAPACITY

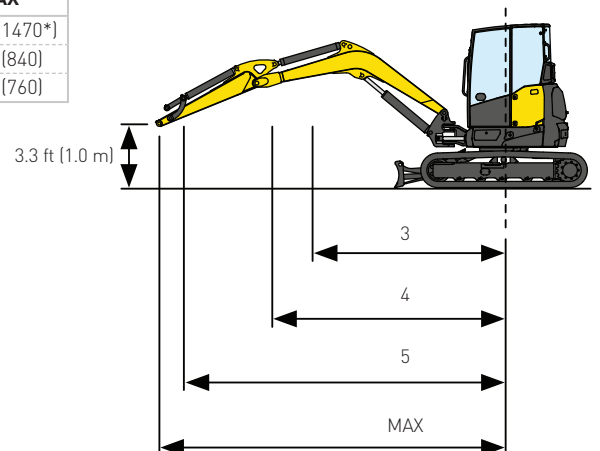
Opening arm from the rotation's center ft (m)  
Lifting capacity lb (kg) at 3.3 ft (1.0 m) height

		3	4	5	MAX
Frontal and lowered dozer blade	lb (kg)	6945* (3150*)	4630* (2100*)	3682* (1670*)	3241* (1470*)
Frontal and lifted dozer blade	lb (kg)	4784 (2170)	3131 (1420)	2271 (1030)	1852 (840)
Lateral	lb (kg)	4233 (1920)	2822 (1280)	2072 (940)	1676 (760)

\*Indicates the hydraulic load limit.

Standard dipper stick L = 74.8 in  
(Optional dipper stick L = 82.7 in)

Standard dipper stick L = 1900 mm  
(Optional dipper stick L = 2100 mm)



The lifting capacity is based on the ISO 10567 and it does not exceed more than the 75% of static tipping load or more than the 87% of the hydraulic lifting capacity of the machine.

## Standard Equipment

---

- Tilttable Cab (ROPS/TOPS - FOPS Level 1)
- Automatic Air Conditioning and Heating
- Automatic Courtesy light
- Radio, Bluetooth, USB, Memory card SD/SDHC, Aux-in
- Electric socket on the roof for Rotating Beacon
- Windshield washer
- Rear-view mirrors (left, right, rear)
- Standard arm
- Boom Lift cylinder and dozer blade cylinder protection
- Standard counterweight
- Air Filter with drain valve and electric anti-clogging indicator
- Hydraulic Reversible Fan Drive with automatic functionality
- Servo-assisted hydraulic joysticks with Electro-Hydraulic proportional controls
- Electro-Hydraulic proportional Swing control
- 1<sup>st</sup> Auxiliary (AUX1) circuit with Electro-Hydraulic proportional control
- 2<sup>nd</sup> Auxiliary (AUX2) circuit with Electro-Hydraulic proportional control
- Digital cluster with AUX1, AUX2 and AUX3 flow settings
- Block valves on swing cylinder
- Electric diverter between Single effect and Double effect AUX1
- 2 speed travel with Automatic Shift Down (from 2<sup>nd</sup> to 1<sup>st</sup> gear if more traction is required) and Shift-up
- Electronic Proportional RPM control with Auto-Idle
- Pattern Changer
- Bucket Linkage with hook
- Rubber tracks
- Standard Dozer Blade
- Operator manual
- Ignition key, which opens every machine lock
- Standard LED working lights (boom, right-front hood and cab-front)
- Battery disconnect switch
- Variable Volume Pump
- Standard Hydraulic oil and Lubricants
- New Holland FleetForce™ Telematics with 5-Year Advanced Subscription
- Direct Drainage to tank
- Fabric seat with Pneumatic suspension and Heating
- Rear view camera
- Travel alarm
- Extra LED working lights (cab-rear)

## Optional Equipment

---

- Anti-Theft
- Long arm
- Additional counterweight - Heavy
- 3<sup>rd</sup> Auxiliary (AUX3) circuit with Electro-Hydraulic proportional control
- Steel tracks
- 6x1 (Angle/Tilt) Dozer Blade
- Dozer Float
- Rotating LED Beacon
- Bio Hydraulic oil and Lubricants
- Automatic Centralized Lubrication
- High Flow provision (i.e. for Mulcher): max constant flow of 15.9 GPM at 2610 PSI (60 l/min at 180 bar)
- Hydraulic quick coupler provision (Single or Double Effect)
- Mechanical and Hydraulic quick couplers
- Buckets



New Holland Construction  
500 Diller Ave.  
New Holland, PA 17557

Learn more at [www.newholland.com](http://www.newholland.com)



Design, materials and/or specifications are subject to change without notice and without liability therefor. Specifications are applicable to units sold in Canada, the United States, its territories and possessions, and may vary outside these areas.

© 2024 CNH Industrial America LLC. All rights reserved. New Holland is a trademark registered in the United States and many other countries, owned by or licensed to CNH Industrial N.V., its subsidiaries or affiliates. Any trademarks referred to herein, in association with goods and/or services of companies, other than owned by or licensed to CNH Industrial N.V., its subsidiaries or affiliates, are the property of those respective companies.



Safety begins with a thorough understanding of the equipment. Always make sure you and your operators read the Operator's Manual before using the equipment. Pay close attention to all safety and operating decals and never operate machinery without all shields, protective devices and structures in place.

NHC71324609 • 0624 • OTP • PRINTED IN U.S.A.