

HD100 SPECIFICATIONS

Rated Power
115.3 HP (86 kW)
@ 2,200 rpm

Operating Weight
XL Blade: 23,589 lb. (10,700 kg)
LGP Blade: 24,692 lb. (11,200 kg)

Maximum Traction Force (ISO)
35,296 lbf (16,010 kgf)

ENGINE		
Make	Hyundai	
Model	G2 DM03-LED00	
Number of cylinders	4	
Output	SAE J1995 (gross)	122.0 HP (91.0 kW) @ 2,200 rpm
	J1349 (net)	115.3 HP (86 kW) @ 2,200 rpm
Maximum torque, SAE J1995 (net)		391 lbf·ft. (54.0 kgf·m) @ 1,400 rpm
Displacement		208 cu. in. (3.4 L)
Bore and stroke		3.9 in. × 4.4 in. (98 mm × 113 mm)
Starter		24 V, 6.7 hp (5.0 kW)
Battery (qty 2)		2 × 12 V, 150 Ah
Alternator		24 V, 80 A
Air cleaner		Double element

HYDRAULICS			
Axial Piston	variable displacement		
Main pump	27 gpm (103.5 L/min.)		
Relief pressure (normal)	3,840 psi (265 kg/cm ²)		
HYDRAULIC CYLINDERS			
Number of cylinders.	Blade lift (2)	in. (mm)	3.5 × 2.0 × 13.7 (90 × 50 × 347)
	Blade angle (2)	in. (mm)	3.1 × 1.8 × 17.4 (80 × 45 × 443)
Bore × diameter × stroke	Blade rotate (1)	in. (mm)	3.5 × 2.0 × 5.5 (90 × 50 × 140)
	Ripper lift (2)	in. (mm)	3.5 × 2.0 × 3.6 (90 × 50 × 91)

DRIVE SYSTEM	
Travel speed [low – high]	0–5.6 mph (0–9.0 km/h)
Max. traction force (drawbar pull)	35,296 lbf (16,010 kgf)
Max. grade	35° (70%)

REFILL CAPACITIES	
Fuel tank	50 gal. (190 L)
DEF tank	7 gal. (26.5 L)
Cooling system (radiator capacity)	6.2 gal. (23.5 L)
Engine oil	3.9 gal. (14.6 L)
Final drive (each side)	1.8 gal. (6.8 L)
Hydraulic tank	20 gal. (75.7 L)

UNDERCARRIAGE	
Upper rollers (each track)	1
Lower rollers (each track)	7
Number of shoes (links per side)	40

NOISE LEVELS	
Sound level (2000/14/EC)	106 dB (A)
Cabin sound level (ISO 6396)	76 dB (A)



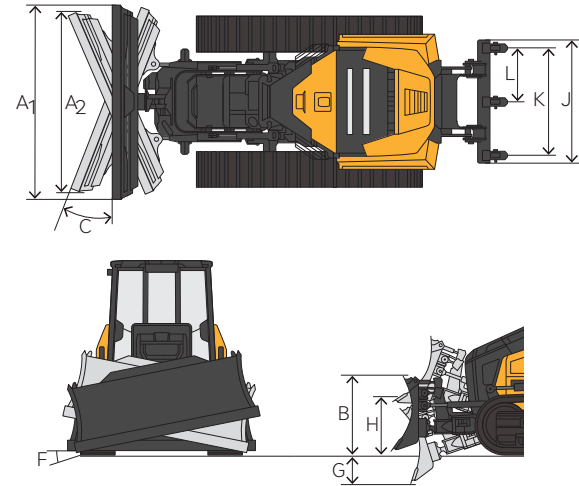
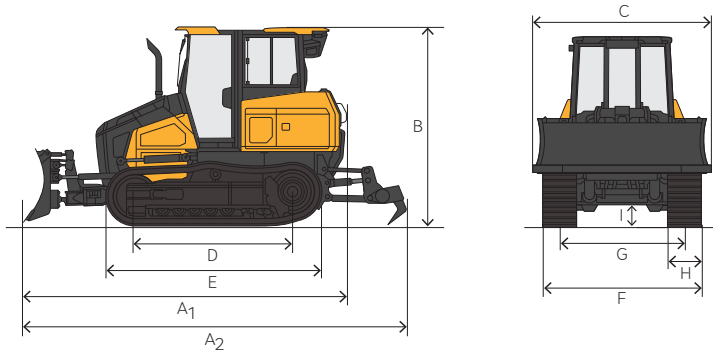
● Standard / ○ Option

EQUIPMENT*	
Base Machine (XL)	●
XL Blade	●
LGP Blade	○
8" Touch Display with Audio	●
2D Smart Blade Control	●
Rotating Beacon	●
Forestry Cabin Guard (top and front)	○
Standard Track Guard	●
Full Track Guard	○
Hi-Mate: Mobile Type	●
Trimble Upgrade Brackets	○
Rear View Camera	●
LED Lighting	●
Additional LED Lights	○
Seat Belt Warning	●
1' 8" (510 mm) XL Shoe (with XL blade)	●
2' 4" (700 mm) LGP Shoe (with LGP blade)	○
Rear Ripper(with piping)	●
Towing Draw Bar	○

* Standard and optional equipment may vary. Contact your Hyundai dealer for more information. The machine may vary according to International standards.

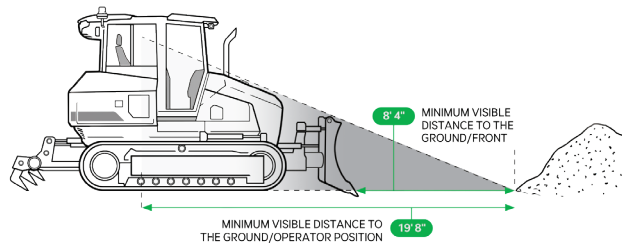


DIMENSIONS & WORKING RANGE HD100



DIMENSIONS	ft. in. (mm)	XL BLADE	LGP BLADE
A ₁ Overall shipping length		15' 7" (4,739)	
A ₂ Overall shipping length (w/ ripper)		18' 5" (5,618)	
B Overall shipping height		9' 6" (2,900)	
C Overall shipping width (blade straight)		8' 11" (2,720)	10' 7" (3,220)
D Tumbler length		7' 7" (2,310)	
E Overall track length		11' 8" (3,567)	
F Undercarriage width		7' 10" (2,390)	8' 6" (2,590)
G Track gauge width		6' 2" (1,880)	
H Track grouser width		1' 8" (510)	2' 4" (710)
I Ground clearance		8" (200)	

WORKING RANGE		XL BLADE	LGP BLADE
Blade capacity (SAE)	cu. yd. (m ³)	2.9 (2.2)	3.4 (2.6)
A ₁ Blade width	ft. in. (mm)	8' 11" (2,710)	10' 7" (3,220)
A ₂ Blade width at max. angle	ft. in. (mm)	7' 11" (2,410)	9' 5" (2,863)
B Blade height	ft. in. (mm)	3' 9" (1,133)	
C Blade angle, max.			± 25°
F Blade rotate, max.			± 8°
Blade tilt (adjustable)*			54°-59°
G Blade digging depth	ft. in. (mm)	1' 6" (466)	
H Blade clearance	ft. in. (mm)	2' 9" (841)	
Ripper penetration, max.*	ft. in. (mm)	11.2" (284)	
J Ripper beam width	ft. in. (mm)	5' 2" (1,580)	
K Ripper, cut width	ft. in. (mm)	4' 11" (1,486)	
L Ripper, shank distance	ft. in. (mm)	2' 5" (743)	
Ripper maximum ground clearance when raised*	ft. in. (mm)	21.4" (544)	
Operating weight (without ripper)	lb. (kg)	23,589 (10,700)	24,692 (11,200)
Ground pressure	psi (kPa)	5.6 (38.6)	4.2 (28.9)



* Not shown on diagram



- * The photos may include attachments and optional equipment that are not available in your area.
- * Materials and specifications are subject to change without advance notice.
- * All imperial measurements rounded off to the nearest pound or inch.
- * Specifications and features are subject to change without notice.



6100 Atlantic Blvd., Norcross, GA 30071
TEL (678) 823-7777 FAX (678) 823-7778



Printed in U.S.A.



HD100-AS 4/24 v1